

BG/S - Angled brackets

1201086

<https://www.phoenixcontact.com/gb/products/1201086>

Please be informed that the data shown in this PDF document is generated from our online catalog. Please find the complete data in the user documentation. Our general terms of use for downloads are valid.

Angled brackets with M 6 screw, for fixing DIN rails at an angle of 30°, height: 35.4 mm



Your advantages

- The BG/S brackets can be used to fix DIN rails at a distance from the mounting surface
- 30° tilt angle

Commercial data

| | |
|--------------------------------------|---------------------|
| Item number | 1201086 |
| Packing unit | 10 pc |
| Minimum order quantity | 10 pc |
| Sales key | BE7112 |
| Product key | BE7112 |
| Catalog page | Page 544 (C-3-2019) |
| GTIN | 4017918017200 |
| Weight per piece (including packing) | 42.98 g |
| Weight per piece (excluding packing) | 42.279 g |
| Customs tariff number | 73269098 |
| Country of origin | DE |

BG/S - Angled brackets

1201086

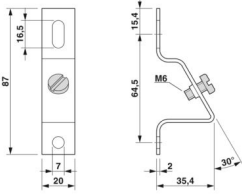
<https://www.phoenixcontact.com/gb/products/1201086>

Technical data

Product properties

| | |
|--------------|-------------------|
| Product type | Mounting material |
|--------------|-------------------|

Dimensions

| | |
|---------------------|--|
| Dimensional drawing |  |
| Width | 19.7 mm |
| Height | 87 mm |
| Depth | 35.4 mm |
| Length | 87 mm |

Material specifications

| | |
|----------|----------------|
| Color | silver-colored |
| Material | Steel |

Mounting

| | |
|---------------|--------|
| Mounting type | screws |
|---------------|--------|

BG/S - Angled brackets

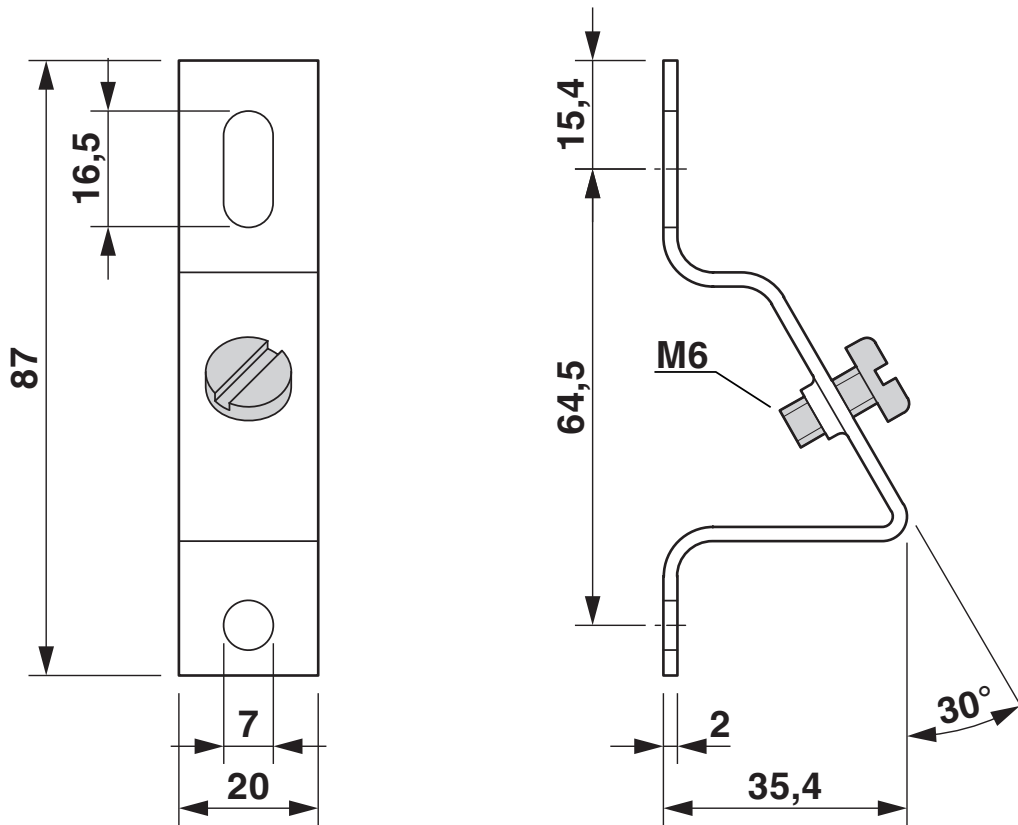
1201086

<https://www.phoenixcontact.com/gb/products/1201086>



Drawings

Dimensional drawing



BG/S - Angled brackets



1201086

<https://www.phoenixcontact.com/gb/products/1201086>

Classifications

ECLASS

| | |
|-------------|----------|
| ECLASS-11.0 | 27370419 |
| ECLASS-12.0 | 27370419 |
| ECLASS-13.0 | 27370419 |

ETIM

| | |
|----------|----------|
| ETIM 9.0 | EC001024 |
|----------|----------|

UNSPSC

| | |
|-------------|----------|
| UNSPSC 21.0 | 39121400 |
|-------------|----------|

BG/S - Angled brackets



1201086

<https://www.phoenixcontact.com/gb/products/1201086>

Environmental product compliance

EU RoHS

| | |
|---|--------------------|
| Fulfills EU RoHS substance requirements | Yes, No exemptions |
|---|--------------------|

China RoHS

| | |
|--|--|
| Environment friendly use period (EFUP) | EFUP-E |
| | No hazardous substances above the limits |

EU REACH SVHC

| | |
|-------------------------------------|----------------------------|
| REACH candidate substance (CAS No.) | No substance above 0.1 wt% |
|-------------------------------------|----------------------------|

Phoenix Contact 2025 © - all rights reserved
<https://www.phoenixcontact.com>

PHOENIX CONTACT Ltd
Halesfield 13, Telford
Shropshire, TF7 4PG
01952 681700
info@phoenixcontact.co.uk