

IBS IL 24 RB-T-XC-PAC - Communication module



2701151

<https://www.phoenixcontact.com/gb/products/2701151>

Please be informed that the data shown in this PDF document is generated from our online catalog. Please find the complete data in the user documentation. Our general terms of use for downloads are valid.



Inline, branch terminal, INTERBUS, Inline shield plug, with remote bus branch, extreme conditions version, transmission speed in the local bus: 500 Kbps, degree of protection: IP20, including Inline connector and marking field

Your advantages

- Diagnostic and status indicators
- Can be used under extreme ambient conditions
- Extended temperature range of -40 °C ... +70 °C (see "Tested successfully: use under extreme ambient conditions" in the data sheet)
- Coated PCBs

Commercial data

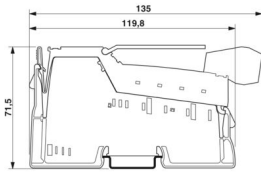
| | |
|--------------------------------------|---------------------|
| Item number | 2701151 |
| Packing unit | 1 pc |
| Minimum order quantity | 1 pc |
| Sales key | DRI152 |
| Product key | DRI152 |
| Catalog page | Page 146 (C-6-2019) |
| GTIN | 4046356713788 |
| Weight per piece (including packing) | 96 g |
| Weight per piece (excluding packing) | 67 g |
| Customs tariff number | 85389091 |
| Country of origin | DE |

2701151

<https://www.phoenixcontact.com/gb/products/2701151>

Technical data

Dimensions

| | | |
|---------------------|--|--|
| Dimensional drawing | |  |
| Width | | 12.2 mm |
| Height | | 135 mm |
| Depth | | 71.5 mm |

Notes

Note on application

| | |
|---------------------|-------------------------|
| Note on application | Only for industrial use |
|---------------------|-------------------------|

Interfaces

INTERBUS

| | |
|--------------------|--------------------|
| Connection method | Inline data jumper |
| Transmission speed | 500 kbps |

INTERBUS

| | |
|----------------------|-------------------------|
| Connection method | Inline shield connector |
| Transmission speed | 500 kbps |
| Transmission physics | RS-485 |

Inline local bus

| | |
|----------------------|--------------------|
| Connection method | Inline data jumper |
| Transmission speed | 500 kbps |
| Transmission physics | Copper |

System properties

System limits

| | |
|---|---|
| Number of local bus devices that can be connected | max. 63 (Consider the logic current consumed by the devices; the branch terminal does not count as an Inline station device.) |
|---|---|

Module

| | |
|----------------------|-------|
| ID code (dec.) | 04 |
| ID code (hex) | 04 |
| Length code (hex) | 0 |
| Length code (dec) | 0 |
| Process data channel | 0 bit |

2701151

<https://www.phoenixcontact.com/gb/products/2701151>

| | |
|---------------------|--------|
| Input address area | 0 Byte |
| Output address area | 0 Byte |
| Register length | 0 bit |

Product properties

| | |
|--------------------|--|
| Product type | I/O component |
| Product family | Inline |
| Type | modular |
| Scope of delivery | including Inline connector and labeling field |
| Special properties | with remote bus branch Extreme conditions version |

Electrical properties

Potentials: Supply of analog modules (U_{ANA})

| | |
|----------------------|--|
| Supply voltage | 24 V DC (via voltage jumper) |
| Supply voltage range | 19.2 V DC ... 30 V DC (including all tolerances, including ripple) |
| Current draw | typ. 29 mA |

Electrical isolation/isolation of the voltage ranges

| | |
|---|------------------------|
| Test voltage: 5 V supply, incoming remote bus, 5 V supply outgoing remote bus, 5 V supply logic | 500 V AC, 50 Hz, 1 min |
| Test voltage: Remote bus branch | 500 V AC, 50 Hz, 1 min |
| Test voltage: Functional ground | 500 V AC, 50 Hz, 1 min |

Connection data

Connection technology

| | |
|-----------------|------------------|
| Connection name | Inline connector |
|-----------------|------------------|

Conductor connection

| | |
|----------------------------------|--|
| Connection method | Spring-cage connection |
| Conductor cross section rigid | 0.08 mm ² ... 1.5 mm ² |
| Conductor cross section flexible | 0.08 mm ² ... 1.5 mm ² |
| Conductor cross section AWG | 28 ... 16 |
| Stripping length | 8 mm |

Inline connector

| | |
|-----------------------------------|--|
| Connection method | Spring-cage connection |
| Conductor cross section, rigid | 0.08 mm ² ... 1.5 mm ² |
| Conductor cross section, flexible | 0.08 mm ² ... 1.5 mm ² |
| Conductor cross section AWG | 28 ... 16 |
| Stripping length | 8 mm |

Environmental and real-life conditions

Ambient conditions

| | |
|---------------------------------|------------------|
| Ambient temperature (operation) | -25 °C ... 55 °C |
|---------------------------------|------------------|

IBS IL 24 RB-T-XC-PAC - Communication module



2701151

<https://www.phoenixcontact.com/gb/products/2701151>

| | |
|--|---|
| | -40 °C ... 70 °C (Extended, see section "Tested successfully: use under extreme ambient conditions" in the data sheet.) |
| Degree of protection | IP20 |
| Air pressure (operation) | 70 kPa ... 106 kPa (up to 3000 m above sea level) |
| Air pressure (storage/transport) | 70 kPa ... 106 kPa (up to 3000 m above sea level) |
| Ambient temperature (storage/transport) | -40 °C ... 85 °C |
| Permissible humidity (operation) | 10 % ... 95 % (according to DIN EN 61131-2) |
| Permissible humidity (storage/transport) | 10 % ... 95 % (according to DIN EN 61131-2) |

Standards and regulations

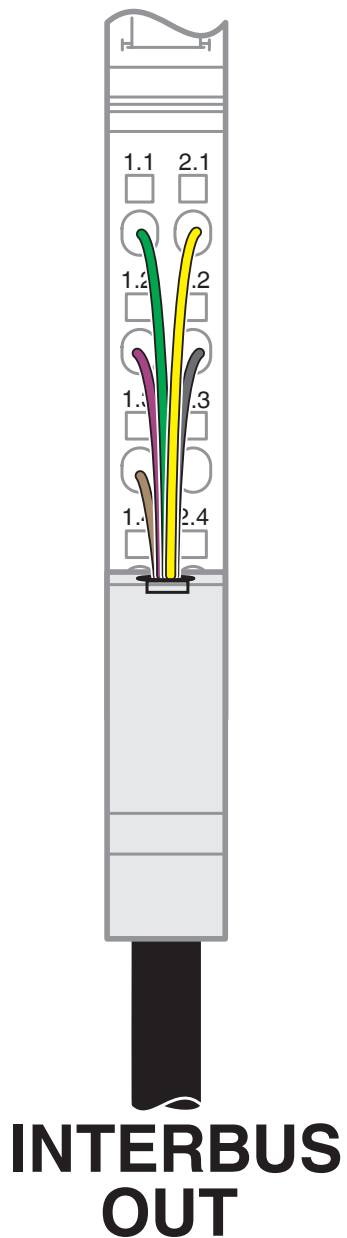
| | |
|------------------|---------------------------------------|
| Protection class | III (IEC 61140, EN 61140, VDE 0140-1) |
|------------------|---------------------------------------|

Mounting

| | |
|---------------|-------------------|
| Mounting type | DIN rail mounting |
|---------------|-------------------|

Drawings

Connection diagram



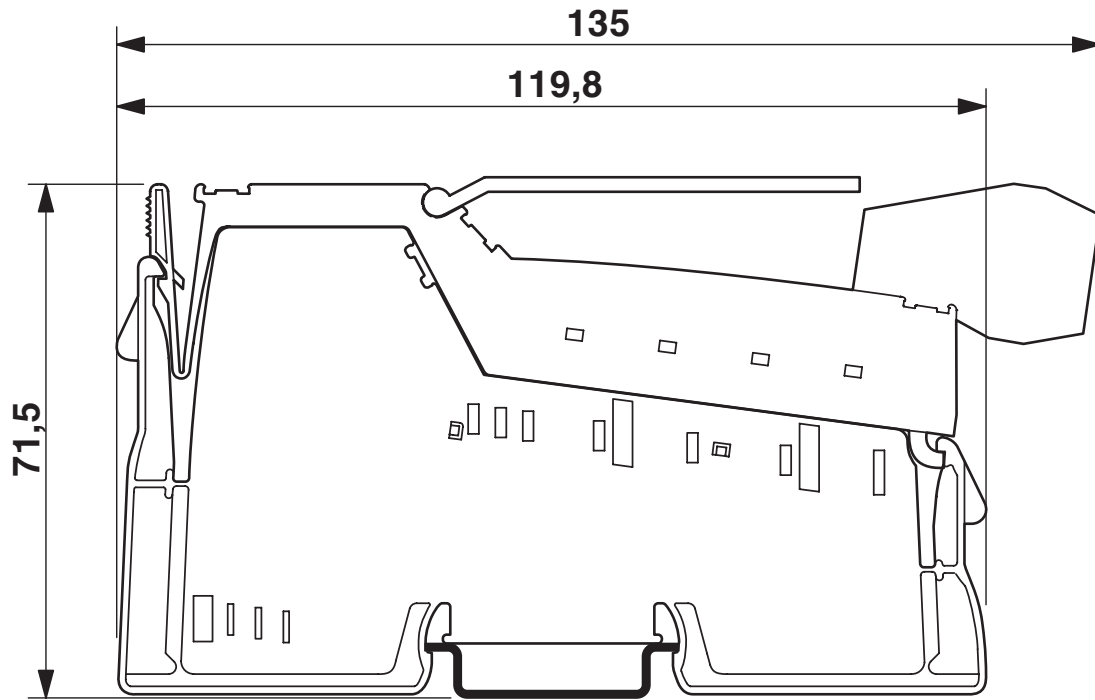
IBS IL 24 RB-T-XC-PAC - Communication module



2701151

<https://www.phoenixcontact.com/gb/products/2701151>

Dimensional drawing

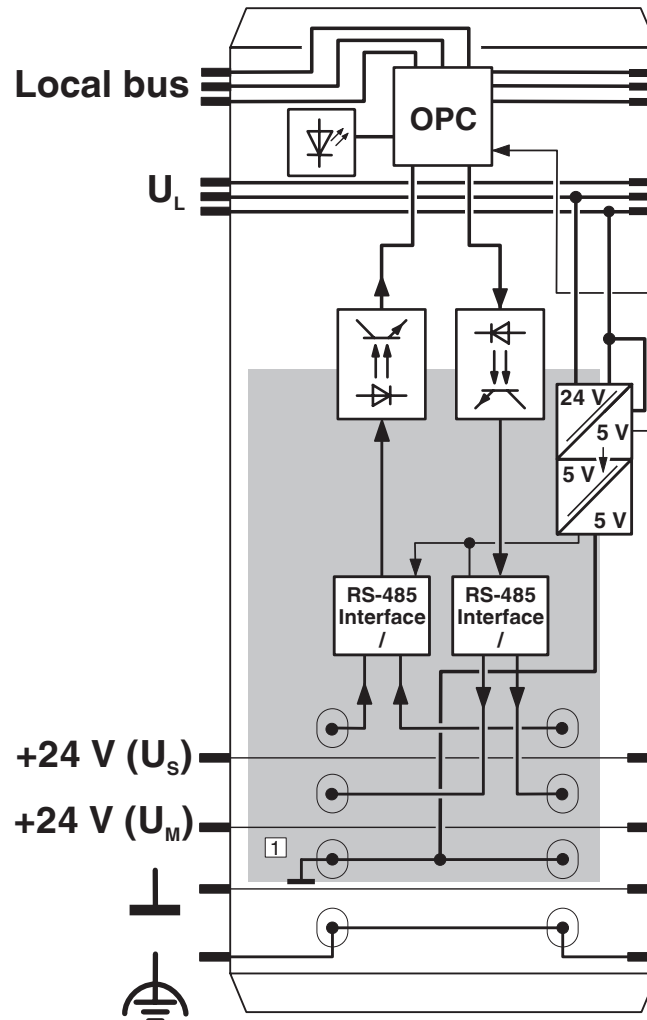


IBS IL 24 RB-T-XC-PAC - Communication module

2701151

<https://www.phoenixcontact.com/gb/products/2701151>

Block diagram



Internal wiring of the terminal points

IBS IL 24 RB-T-XC-PAC - Communication module



2701151

<https://www.phoenixcontact.com/gb/products/2701151>

Approvals

To download certificates, visit the product detail page: <https://www.phoenixcontact.com/gb/products/2701151>



cULus Recognized

Approval ID: E140324

2701151

<https://www.phoenixcontact.com/gb/products/2701151>

Classifications

ECLASS

| | |
|-------------|----------|
| ECLASS-11.0 | 27242608 |
| ECLASS-12.0 | 27242608 |
| ECLASS-13.0 | 27242608 |

ETIM

| | |
|----------|----------|
| ETIM 9.0 | EC001604 |
|----------|----------|

UNSPSC

| | |
|-------------|----------|
| UNSPSC 21.0 | 32151600 |
|-------------|----------|

2701151

<https://www.phoenixcontact.com/gb/products/2701151>

Environmental product compliance

EU RoHS

| | |
|---|--------------|
| Fulfills EU RoHS substance requirements | Yes |
| Exemption | 7(a), 7(c)-I |

China RoHS

| | |
|--|--|
| Environment friendly use period (EFUP) | EFUP-E |
| | No hazardous substances above the limits |

EU REACH SVHC

| | |
|-------------------------------------|--------------------------------------|
| REACH candidate substance (CAS No.) | Lead(CAS: 7439-92-1) |
| SCIP | 2fb258db-37a7-47d3-90b5-8d66ba6b1731 |

Phoenix Contact 2025 © - all rights reserved
<https://www.phoenixcontact.com>

PHOENIX CONTACT Ltd
Halesfield 13, Telford
Shropshire, TF7 4PG
01952 681700
info@phoenixcontact.co.uk