

IB IL 24 DO 4-XC-PAC - Digital module



2701155

<https://www.phoenixcontact.com/gb/products/2701155>

Please be informed that the data shown in this PDF document is generated from our online catalog. Please find the complete data in the user documentation. Our general terms of use for downloads are valid.

Inline, Digital output terminal, Digital outputs: 4, 24 V DC, connection technology: 3-conductor, Extreme conditions version, transmission speed in the local bus: 500 kbps, degree of protection: IP20, including Inline connector and labeling field



Product description

The terminal is designed for use within an Inline station. It is used to output digital signals. Thanks to special engineering measures and tests, the terminal can be used under extreme ambient conditions.

Your advantages

- 4 digital outputs
- Connection of actuators in 2- and 3-conductor technology
- Nominal current per output: 500 mA
- Total current of the terminal: 2 A
- Short-circuit and overload-protected outputs
- Diagnostic and status indicators
- Can be used under extreme ambient conditions
- Extended temperature range of -40 °C ... +70 °C (see "Tested successfully: use under extreme ambient conditions" in the data sheet)
- Coated PCBs

Commercial data

Item number	2701155
Packing unit	1 pc
Minimum order quantity	1 pc
Sales key	DRI132
Product key	DRI132
Catalog page	Page 128 (C-6-2019)
GTIN	4046356713818
Weight per piece (including packing)	93.4 g
Weight per piece (excluding packing)	66 g
Customs tariff number	85389091
Country of origin	DE

IB IL 24 DO 4-XC-PAC - Digital module

2701155

<https://www.phoenixcontact.com/gb/products/2701155>

Technical data

Dimensions

Dimensional drawing	
Width	12.2 mm
Height	140.5 mm
Depth	71.5 mm
Note on dimensions	Housing dimensions

Notes

Note on application

Note on application	Only for industrial use
---------------------	-------------------------

Interfaces

Inline local bus

Number of interfaces	2
Connection method	Inline data jumper
Transmission speed	500 kbps

System properties

Module

ID code (dec.)	189
ID code (hex)	BD
Length code (hex)	41
Length code (dec)	65
Process data channel	4 bit
Input address area	0 Byte
Output address area	4 bit
Register length	4 bit
Required parameter data	3 Byte
Required configuration data	4 Byte

Output data

Digital:

Output name	Digital outputs
Connection method	Spring-cage connection

IB IL 24 DO 4-XC-PAC - Digital module



2701155

<https://www.phoenixcontact.com/gb/products/2701155>

Connection technology	3-conductor
Number of outputs	4
Protective circuit	Overload protection, short-circuit protection of outputs; electronic
Output voltage	24 V DC ($U_S - 1$ V)
Limitation of the voltage induced on circuit interruption	-46 V ... -15 V
Maximum inrush current	max. 1.5 A (for 20 ms)
Maximum output current per channel	500 mA
Maximum output current per module	2 A
Nominal output voltage	24 V DC (voltage difference at $I_{nom} \leq 1$ V)
Output voltage when switched off	max. 2 V
Output current when switched off	max. 300 μ A
Nominal load, inductive	12 VA (1.2 H, 50 Ω)
Nominal load, lamp	12 W
Nominal load, ohmic	12 W (48 Ω)
Maximum operating frequency with ohmic nominal load	max. 300 Hz (this switching frequency is limited by the data rate selected, the number of bus devices, the structure of the bus, the software used and the control or computer system used)
Reverse voltage resistance to short pulses	Reverse voltage proof
Behavior with overload	Auto restart
Behavior with inductive overload	Output can be destroyed
Behavior at voltage switch-off	The output follows the power supply without delay
Overcurrent shut-down	min. 0.7 A
Output current with ground connection interrupt when switched off	max. 25 mA

Product properties

Product type	I/O component
Product family	Inline
Type	modular
Scope of delivery	including Inline connector and labeling field
No. of channels	4
Operating mode	Process data operation with 4 bits
Special properties	Extreme conditions version
Diagnostics messages	Short-circuit or overload of the digital outputs Error message in the diagnostic code (bus) and display (2 Hz) via the LED (D) on the module

Insulation characteristics

Overvoltage category	II (IEC 60664-1, EN 60664-1)
Pollution degree	2 (IEC 60664-1, EN 60664-1)

Electrical properties

Potentials: Communications power (U_L)

Supply voltage	7.5 V DC (via voltage jumper)
Current draw	max. 44 mA

Potentials: Segment circuit supply (U_S)

Supply voltage	24 V DC (via voltage jumper)
Supply voltage range	19.2 V DC ... 30 V DC (including all tolerances, including ripple)
Current draw	max. 2 A

Electrical isolation/isolation of the voltage ranges

Test voltage: 5 V supply, incoming remote bus/7.5 V supply (bus logics)	500 V AC, 50 Hz, 1 min
Test voltage: 5 V supply, outgoing remote bus/7.5 V supply (bus logics)	500 V AC, 50 Hz, 1 min
Test voltage: 7.5 V supply (bus logics)/24 V supply (I/O)	500 V AC, 50 Hz, 1 min
Test voltage: 24 V supply (I/O) / functional ground	500 V AC, 50 Hz, 1 min

Connection data

Connection technology

Connection name	Inline connector
-----------------	------------------

Conductor connection

Connection method	Spring-cage connection
Conductor cross section rigid	0.08 mm ² ... 1.5 mm ²
Conductor cross section flexible	0.08 mm ² ... 1.5 mm ²
Conductor cross section AWG	28 ... 16
Stripping length	8 mm

Inline connector

Connection method	Spring-cage connection
Conductor cross section, rigid	0.08 mm ² ... 1.5 mm ²
Conductor cross section, flexible	0.08 mm ² ... 1.5 mm ²
Conductor cross section AWG	28 ... 16
Stripping length	8 mm

Environmental and real-life conditions

Ambient conditions

Ambient temperature (operation)	-25 °C ... 55 °C (Standard)
	-40 °C ... 70 °C (Extended, see section "Tested successfully: use under extreme ambient conditions" in the data sheet.)
Degree of protection	IP20
Air pressure (operation)	70 kPa ... 106 kPa (up to 3000 m above sea level)
Air pressure (storage/transport)	70 kPa ... 106 kPa (up to 3000 m above sea level)
Ambient temperature (storage/transport)	-40 °C ... 85 °C
Permissible humidity (operation)	10 % ... 95 % (according to DIN EN 61131-2)
Permissible humidity (storage/transport)	10 % ... 95 % (according to DIN EN 61131-2)

Standards and regulations

Protection class	III (IEC 61140, EN 61140, VDE 0140-1)
------------------	---------------------------------------

IB IL 24 DO 4-XC-PAC - Digital module



2701155

<https://www.phoenixcontact.com/gb/products/2701155>

Mounting

Mounting type

DIN rail mounting

IB IL 24 DO 4-XC-PAC - Digital module

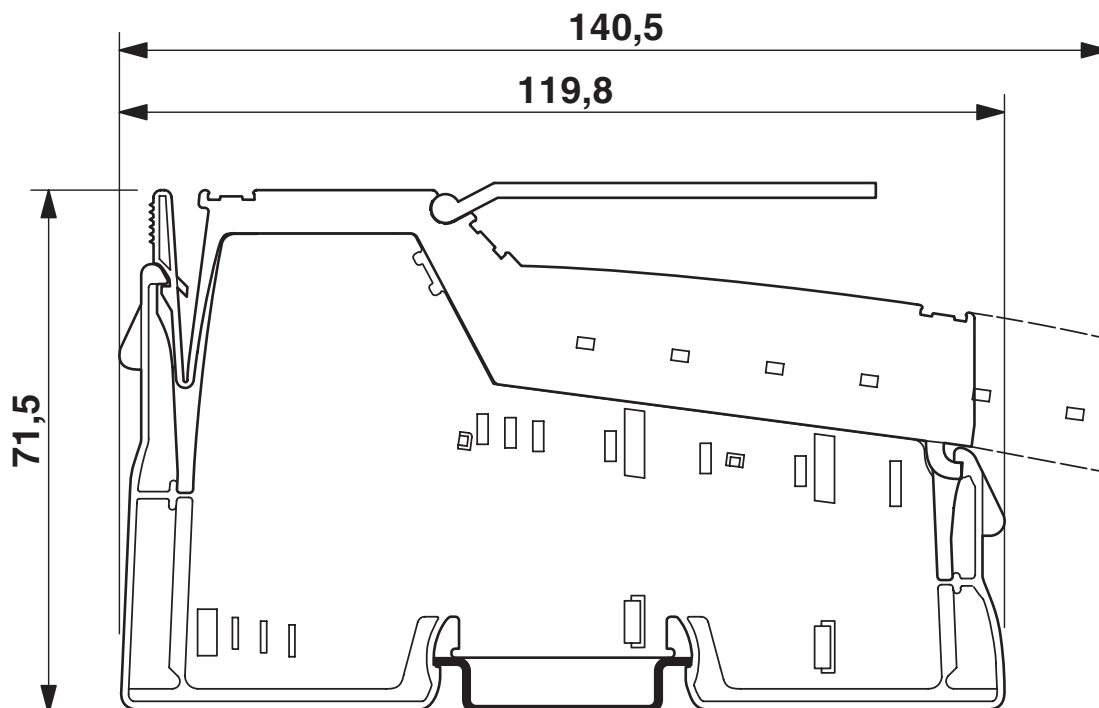


2701155

<https://www.phoenixcontact.com/gb/products/2701155>

Drawings

Dimensional drawing



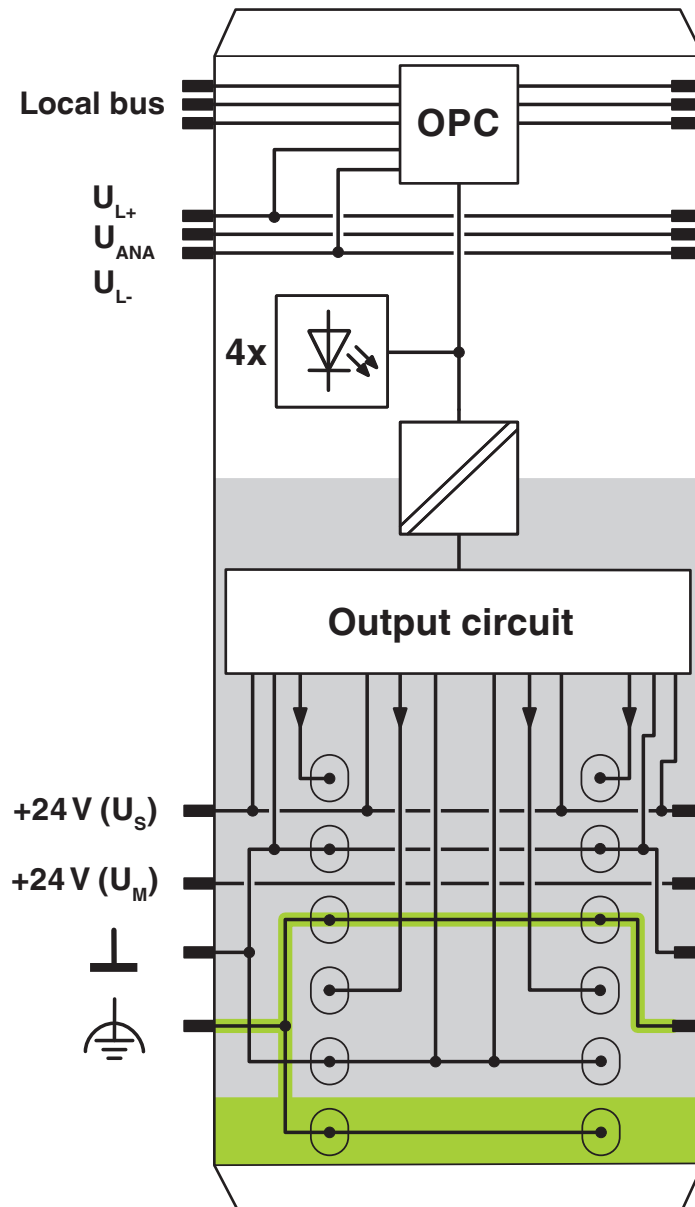
IB IL 24 DO 4-XC-PAC - Digital module

2701155

<https://www.phoenixcontact.com/gb/products/2701155>



Block diagram



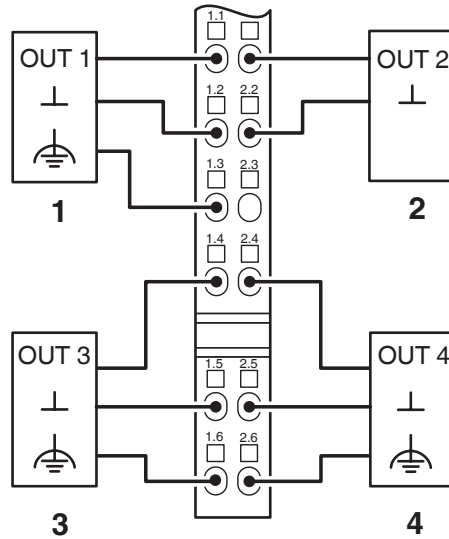
IB IL 24 DO 4-XC-PAC - Digital module

2701155

<https://www.phoenixcontact.com/gb/products/2701155>



Connection diagram



IB IL 24 DO 4-XC-PAC - Digital module



2701155

<https://www.phoenixcontact.com/gb/products/2701155>

Approvals

To download certificates, visit the product detail page: <https://www.phoenixcontact.com/gb/products/2701155>



cULus Recognized
Approval ID: E140324

IB IL 24 DO 4-XC-PAC - Digital module



2701155

<https://www.phoenixcontact.com/gb/products/2701155>

Classifications

ECLASS

ECLASS-11.0	27242604
ECLASS-12.0	27242604
ECLASS-13.0	27242604

ETIM

ETIM 9.0	EC001599
----------	----------

UNSPSC

UNSPSC 21.0	32151600
-------------	----------

2701155

<https://www.phoenixcontact.com/gb/products/2701155>

Environmental product compliance

EU RoHS

Fulfills EU RoHS substance requirements	Yes
Exemption	7(a), 7(c)-I

China RoHS

Environment friendly use period (EFUP)	EFUP-50
	An article-related China RoHS declaration table can be found in the download area for the respective article under "Manufacturer declaration". For all articles with EFUP-E, no China RoHS declaration table issued and required.

EU REACH SVHC

REACH candidate substance (CAS No.)	Lead(CAS: 7439-92-1)
SCIP	0157f451-7d1b-405a-b64d-ab859d6a2367

Phoenix Contact 2025 © - all rights reserved

<https://www.phoenixcontact.com>

PHOENIX CONTACT Ltd
Halesfield 13, Telford
Shropshire, TF7 4PG
01952 681700
info@phoenixcontact.co.uk