

AXL F RS UNI XC 1H - Communication module



2702006

<https://www.phoenixcontact.com/gb/products/2702006>

Please be informed that the data shown in this PDF document is generated from our online catalog. Please find the complete data in the user documentation. Our general terms of use for downloads are valid.



Axioline F, Communication module, interface RS-232, RS-485, RS-422: 1, Extreme conditions version, transmission speed in the local bus: 100 Mbps, degree of protection: IP20, including bus base module and Axioline F connectors

Product description

The module is designed for use within an Axioline F station. The module is used to operate standard I/O devices with serial interfaces on a bus system.

Your advantages

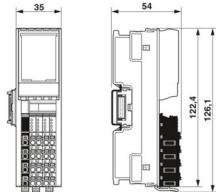
- A serial input and output channel in RS-232, RS-422, and RS-485 format
- Various protocols supported
- Transmission speed can be set up to 250000 bps
- Parameterization via the PDI channel
- Device rating plate stored
- Can be used under extreme ambient conditions
- Extended temperature range of -40 °C ... +70 °C (see "Tested successfully: use under extreme ambient conditions" in the data sheet)
- Partially coated PCBs

Commercial data

Item number	2702006
Packing unit	1 pc
Minimum order quantity	1 pc
Sales key	DRI251
Product key	DRI251
Catalog page	Page 88 (C-6-2019)
GTIN	4046356909587
Weight per piece (including packing)	206.9 g
Weight per piece (excluding packing)	187.4 g
Customs tariff number	85176200
Country of origin	DE

Technical data

Dimensions

Dimensional drawing	
Width	35 mm
Height	126.1 mm
Depth	54 mm
Note on dimensions	The depth applies when a TH 35-7.5 DIN rail is used (in accordance with EN 60715).

Notes

Note on application	
Note on application	Only for industrial use
Utilization restriction	
EMC note	EMC: class A product, see manufacturer's declaration in the download area

Interfaces

Axioline F local bus

Number of interfaces	2
Connection method	Bus base module
Transmission speed	100 Mbps

RS-232, RS-485, RS-422

Number of interfaces	1
Connection method	Push-in connection
Transmission speed	110 bps ... 250 kbps (can be parameterized)
Transmission physics	Copper
Protocols supported	Transparent, end-to-end, XON/XOFF, Modbus/RTU (client support)
Termination resistor	active, integrated
Data bits	5 ... 8
Stop bits	1 or 2
Input buffer	4 kByte
Output buffer	1 kByte

System properties

2702006

<https://www.phoenixcontact.com/gb/products/2702006>

Module

Input address area	20 Byte
Output address area	20 Byte
Required parameter data	14 Byte
Required configuration data	7 Byte

Product properties

Product type	I/O component
Product family	Axioline F
Type	block modular
Mounting position	any (no temperature derating)
Scope of delivery	including bus base module and Axioline F connectors
Special properties	Extreme conditions version

Insulation characteristics

Overvoltage category	II (IEC 60664-1, EN 60664-1)
Pollution degree	2 (IEC 60664-1, EN 60664-1)

Electrical properties

Maximum power dissipation for nominal condition	1.2 W
---	-------

Potentials: Axioline F local bus supply (U_{BUS})

Supply voltage	5 V DC (via bus base module)
Current draw	max. 240 mA typ. 200 mA
Power consumption	max. 1.2 W typ. 1 W

Electrical isolation/isolation of the voltage ranges

Test voltage: 5 V supply of the local bus (U_{BUS}) / 5 V supply (I/Os)	1000 V DC, 1 min
Test voltage: 5 V supply of the local bus (U_{BUS}) / functional ground	1000 V DC, 1 min
Test voltage: 5 V supply (I/O)/functional ground	1000 V DC, 1 min

Connection data

Connection technology

Connection name	Axioline F connector
Note on the connection method	Please observe the information provided on conductor cross sections in the "Axioline F: system and installation" user manual.

Conductor connection

Connection method	Push-in connection
Conductor cross section rigid	0.2 mm ² ... 1.5 mm ²
Conductor cross section flexible	0.2 mm ² ... 1.5 mm ²
Conductor cross section AWG	24 ... 16
Stripping length	8 mm

Axioline F connector

Connection method	Push-in connection
Note on the connection method	Please observe the information provided on conductor cross sections in the "Axioline F: system and installation" user manual.
Conductor cross section, rigid	0.2 mm ² ... 1.5 mm ²
Conductor cross section, flexible	0.2 mm ² ... 1.5 mm ²
Conductor cross section AWG	24 ... 16
Stripping length	8 mm

Environmental and real-life conditions

Ambient conditions

Ambient temperature (operation)	-25 °C ... 60 °C (Standard, applications with UL approval, use in zone 2 potentially explosive area) -40 °C ... 70 °C (Extended, see section "Tested successfully: use under extreme ambient conditions" in the data sheet.)
Degree of protection	IP20
Air pressure (operation)	70 kPa ... 106 kPa (up to 3000 m above sea level)
Air pressure (storage/transport)	70 kPa ... 106 kPa (up to 3000 m above sea level)
Ambient temperature (storage/transport)	-40 °C ... 85 °C
Permissible humidity (operation)	5 % ... 95 % (non-condensing)
Permissible humidity (storage/transport)	5 % ... 95 % (non-condensing)

Standards and regulations

Protection class	III (IEC 61140, EN 61140, VDE 0140-1)
------------------	---------------------------------------

Approvals

ATEX

Identification	⊕ II 3 G Ex ec IIC T4 Gc
Certificate	UL 20 ATEX 2441X
References to standards	EN IEC 60079-0, EN IEC 60079-7

UKEX

Identification	⊕ II 3 G Ex ec IIC T4 Gc
Certificate	PxCIMA22UKEX2701949X
References to standards	EN IEC 60079-0, EN IEC 60079-7

IECEX

Identification	Ex ec IIC T4 Gc
Certificate	IECEX ULD 20.0026X
References to standards	IEC 60079-0 Ed. 7, IEC 60079-7 Ed. 5.1

UL, USA/Canada

Identification	cULus
Certificate	E238705

UL Ex, USA / Canada

AXL F RS UNI XC 1H - Communication module



2702006

<https://www.phoenixcontact.com/gb/products/2702006>

Identification	Class I, Zone 2, AEx ec IIC T4
	Class I, Division 2, Groups A, B, C, D, T4
	Ex ec IIC T4 Gc X
Certificate	E366272
References to standards	UL 60079-0 Ed. 7 / CSA C22.2 NO. 60079-0 Ed. 4
	UL 60079-7 Ed. 5 / CSA C22.2 NO. 60079-7 Ed. 2

CCC / China-Ex

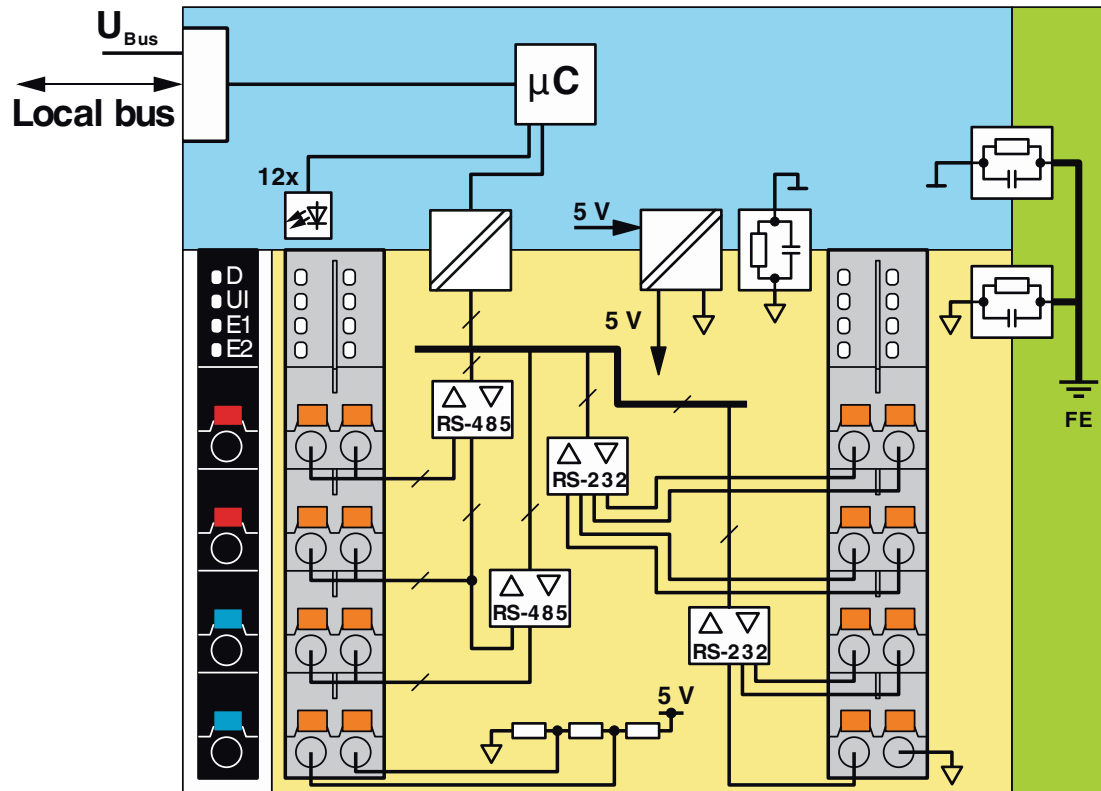
Identification	Ex ec IIC T4 Gc
Certificate	
References to standards	GB/T 3836.1-2021, GB/T 3836.3-2021

Mounting

Mounting type	DIN rail mounting
Mounting position	any (no temperature derating)

Drawings

Block diagram



Internal wiring of the terminal points

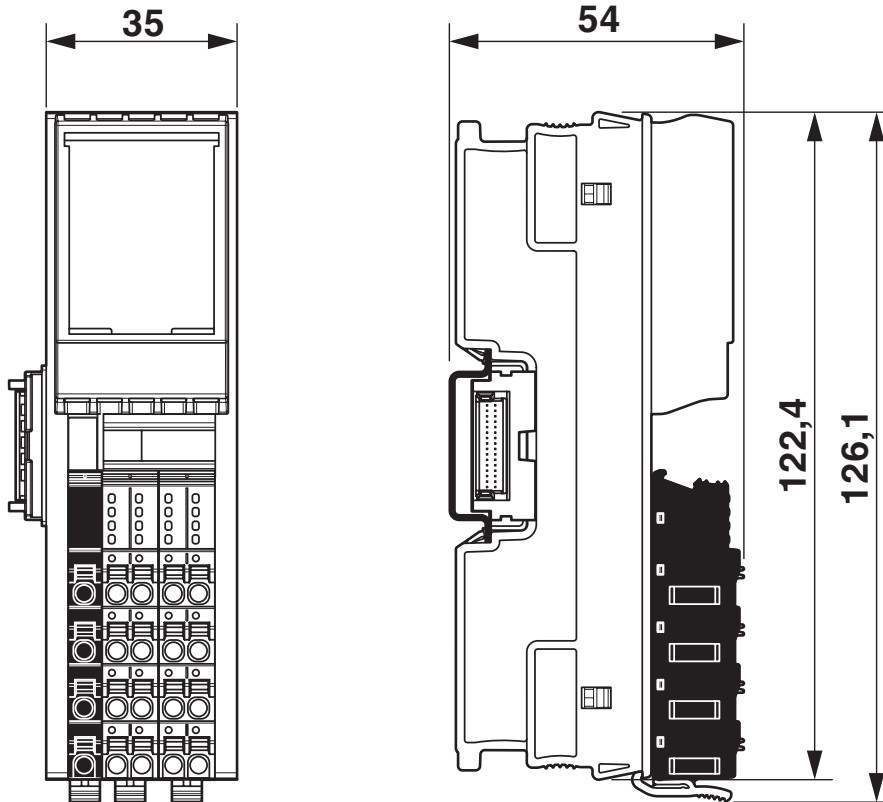
AXL F RS UNI XC 1H - Communication module



2702006

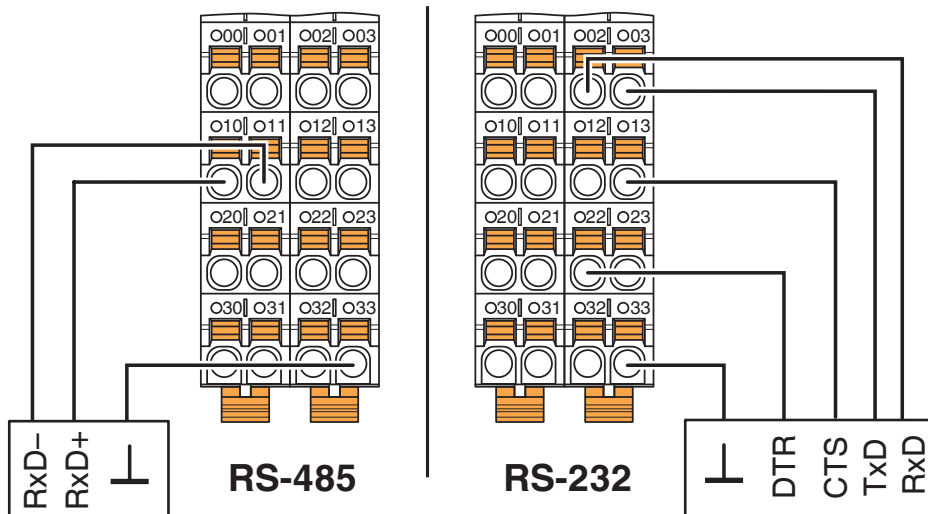
<https://www.phoenixcontact.com/gb/products/2702006>

Dimensional drawing



Dimensions

Connection diagram



2702006

<https://www.phoenixcontact.com/gb/products/2702006>

Approvals

To download certificates, visit the product detail page: <https://www.phoenixcontact.com/gb/products/2702006>



DNV GL

Approval ID: TAA00000DF



LR

Approval ID: LR2480202TA



PRS

Approval ID: TE/1020/880590/21

BSH

Approval ID: 840



RINA

Approval ID: ELE008423XG

ABS

Approval ID: 23-2449604-PDA



cULus Listed

Approval ID: E238705



IECEx

Approval ID: IECEx ULD 20.0026X



ATEX

Approval ID: UL 20 ATEX 2441X



cULus Listed

Approval ID: E366272



CCC

Approval ID: 2021122309114456_CN

AXL F RS UNI XC 1H - Communication module



2702006

<https://www.phoenixcontact.com/gb/products/2702006>

Classifications

ECLASS

ECLASS-11.0	27242608
ECLASS-12.0	27242608
ECLASS-13.0	27242608

ETIM

ETIM 9.0	EC001604
----------	----------

UNSPSC

UNSPSC 21.0	32151600
-------------	----------

2702006

<https://www.phoenixcontact.com/gb/products/2702006>

Environmental product compliance

EU RoHS

Fulfills EU RoHS substance requirements	Yes
Exemption	7(a), 7(c)-I

China RoHS

Environment friendly use period (EFUP)	EFUP-50
	An article-related China RoHS declaration table can be found in the download area for the respective article under "Manufacturer declaration". For all articles with EFUP-E, no China RoHS declaration table issued and required.

EU REACH SVHC

REACH candidate substance (CAS No.)	Lead(CAS: 7439-92-1)
SCIP	3e917e75-e34c-4846-98ca-98d91e2d2bbd

Phoenix Contact 2025 © - all rights reserved

<https://www.phoenixcontact.com>

PHOENIX CONTACT Ltd
Halesfield 13, Telford
Shropshire, TF7 4PG
01952 681700
info@phoenixcontact.co.uk