

# AXL F RS UNI 1H - Communication module



2688666

<https://www.phoenixcontact.com/gb/products/2688666>

Please be informed that the data shown in this PDF document is generated from our online catalog. Please find the complete data in the user documentation. Our general terms of use for downloads are valid.



Axioline F, Communication module, interface RS-232, RS-485, RS-422: 1, transmission speed in the local bus: 100 Mbps, degree of protection: IP20, including bus base module and Axioline F connectors

## Product description

The module is designed for use within an Axioline F station. The module is used to operate standard I/O devices with serial interfaces on a bus system.

## Your advantages

- A serial input and output channel in RS-232, RS-422, and RS-485 format
- Various protocols supported
- Transmission speed can be set up to 250000 bps
- Parameterization via the PDI channel
- Device rating plate stored

## Commercial data

Item number	2688666
Packing unit	1 pc
Minimum order quantity	1 pc
Sales key	DRI251
Product key	DRI251
Catalog page	Page 88 (C-6-2019)
GTIN	4046356730860
Weight per piece (including packing)	185 g
Weight per piece (excluding packing)	182 g
Customs tariff number	85176200
Country of origin	DE

# AXL F RS UNI 1H - Communication module

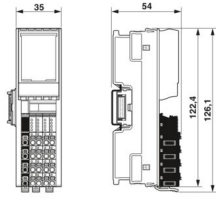


2688666

<https://www.phoenixcontact.com/gb/products/2688666>

## Technical data

### Dimensions

Dimensional drawing	
Width	35 mm
Height	126.1 mm
Depth	54 mm
Note on dimensions	The depth applies when a TH 35-7.5 DIN rail is used (in accordance with EN 60715).

### Notes

#### Note on application

Note on application	Only for industrial use
---------------------	-------------------------

### Interfaces

#### Axioline F local bus

Number of interfaces	2
Connection method	Bus base module
Transmission speed	100 Mbps

#### RS-232, RS-485, RS-422

Number of interfaces	1
Connection method	Push-in connection
Transmission speed	110 bps ... 250 kbps (can be parameterized)
Transmission physics	Copper
Protocols supported	Transparent, end-to-end, XON/XOFF, Modbus/RTU (client support)
Termination resistor	active, integrated
Data bits	5 ... 8
Stop bits	1 or 2
Input buffer	4 kByte
Output buffer	1 kByte

### System properties

#### Module

Input address area	20 Byte
Output address area	20 Byte

# AXL F RS UNI 1H - Communication module



2688666

<https://www.phoenixcontact.com/gb/products/2688666>

Required parameter data	14 Byte
Required configuration data	7 Byte

## Product properties

Product type	I/O component
Product family	Axioline F
Type	block modular
Mounting position	any (no temperature derating)
Scope of delivery	including bus base module and Axioline F connectors

## Insulation characteristics

Overvoltage category	II (IEC 60664-1, EN 60664-1)
Pollution degree	2 (IEC 60664-1, EN 60664-1)

## Electrical properties

Maximum power dissipation for nominal condition	1.2 W
-------------------------------------------------	-------

## Potentials: Axioline F local bus supply ( $U_{BUS}$ )

Supply voltage	5 V DC (via bus base module)
Current draw	max. 240 mA
	typ. 200 mA

## Electrical isolation/isolation of the voltage ranges

Test voltage: 5 V supply of the local bus ( $U_{BUS}$ ) / 5 V supply (I/Os)	1000 V DC, 1 min
Test voltage: 5 V supply of the local bus ( $U_{BUS}$ ) / functional ground	1000 V DC, 1 min
Test voltage: 5 V supply (I/O)/functional ground	1000 V DC, 1 min

## Connection data

### Connection technology

Connection name	Axioline F connector
Note on the connection method	Please observe the information provided on conductor cross sections in the "Axioline F: system and installation" user manual.

### Conductor connection

Connection method	Push-in connection
Conductor cross section rigid	0.2 mm <sup>2</sup> ... 1.5 mm <sup>2</sup>
Conductor cross section flexible	0.2 mm <sup>2</sup> ... 1.5 mm <sup>2</sup>
Conductor cross section AWG	24 ... 16
Stripping length	8 mm

### Axioline F connector

Connection method	Push-in connection
Note on the connection method	Please observe the information provided on conductor cross sections in the "Axioline F: system and installation" user manual.
Conductor cross section, rigid	0.2 mm <sup>2</sup> ... 1.5 mm <sup>2</sup>
Conductor cross section, flexible	0.2 mm <sup>2</sup> ... 1.5 mm <sup>2</sup>

# AXL F RS UNI 1H - Communication module



2688666

<https://www.phoenixcontact.com/gb/products/2688666>

Conductor cross section AWG	24 ... 16
Stripping length	8 mm

## Environmental and real-life conditions

### Ambient conditions

Ambient temperature (operation)	-25 °C ... 60 °C
Degree of protection	IP20
Air pressure (operation)	70 kPa ... 106 kPa (up to 3000 m above sea level)
Air pressure (storage/transport)	70 kPa ... 106 kPa (up to 3000 m above sea level)
Ambient temperature (storage/transport)	-40 °C ... 85 °C
Permissible humidity (operation)	5 % ... 95 % (non-condensing)
Permissible humidity (storage/transport)	5 % ... 95 % (non-condensing)

## Standards and regulations

Protection class	III (IEC 61140, EN 61140, VDE 0140-1)
------------------	---------------------------------------

## Mounting

Mounting type	DIN rail mounting
Mounting position	any (no temperature derating)

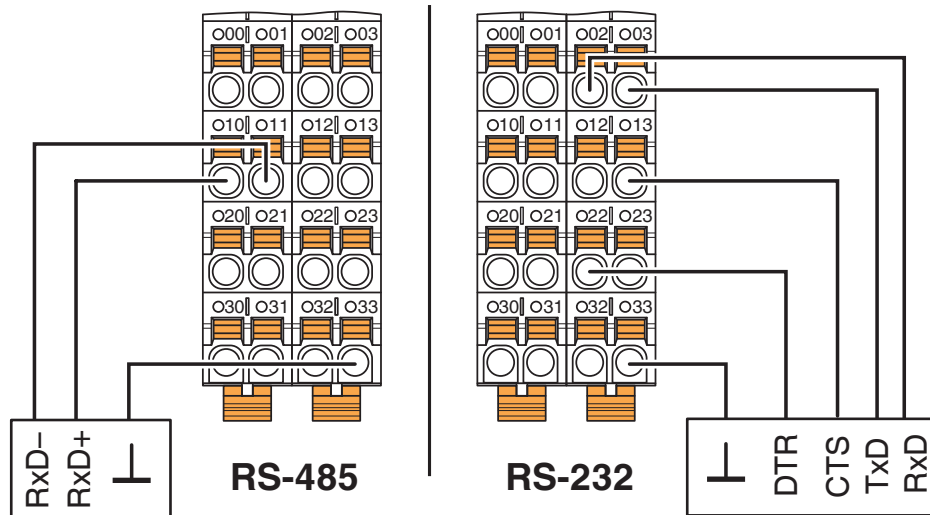
# AXL F RS UNI 1H - Communication module

2688666

<https://www.phoenixcontact.com/gb/products/2688666>

## Drawings

Connection diagram

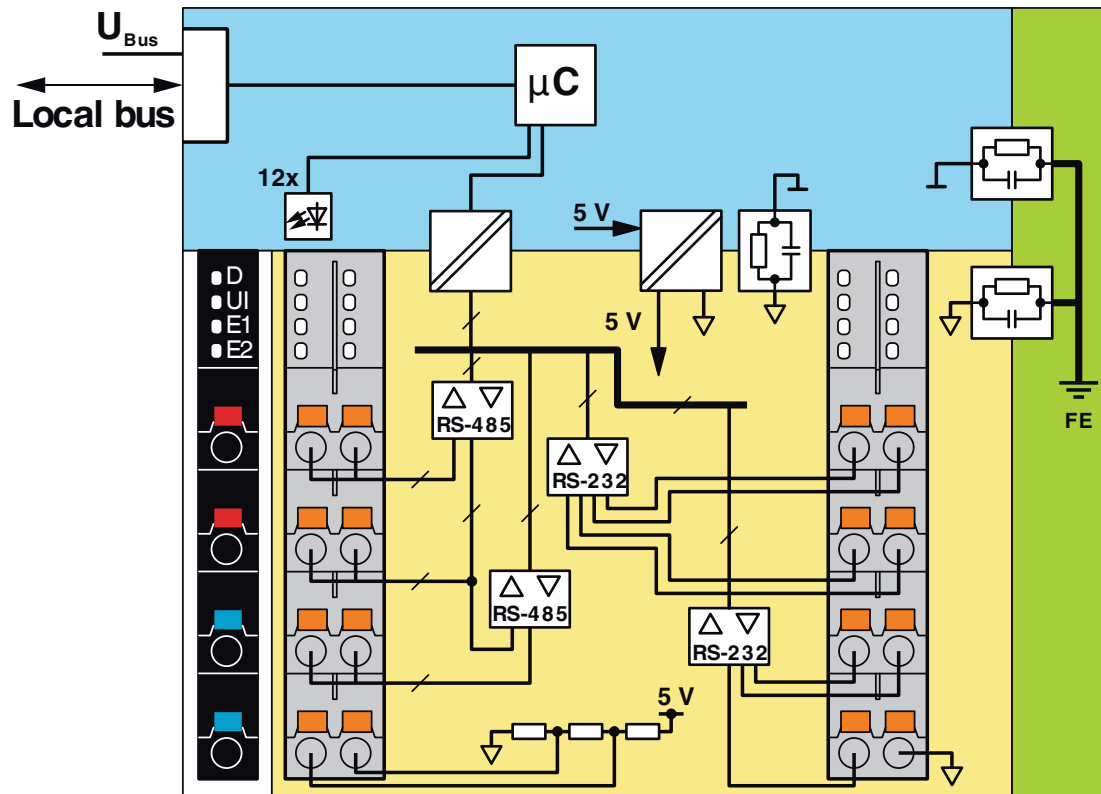


# AXL F RS UNI 1H - Communication module

2688666

<https://www.phoenixcontact.com/gb/products/2688666>

Block diagram



Internal wiring of the terminal points

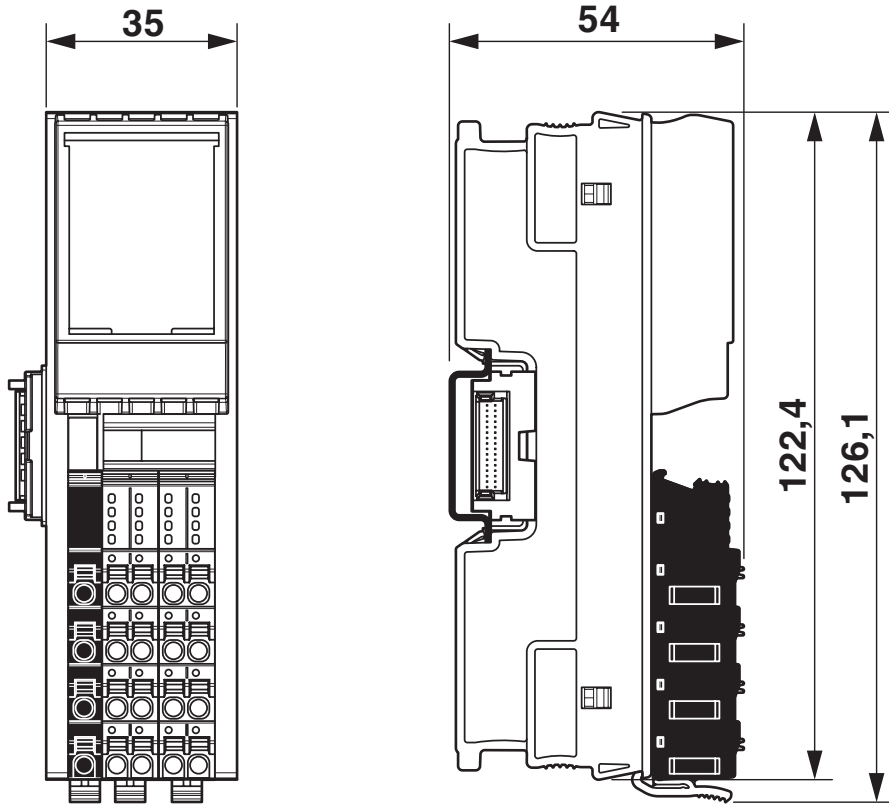
# AXL F RS UNI 1H - Communication module



2688666

<https://www.phoenixcontact.com/gb/products/2688666>

Dimensional drawing



Dimensions

2688666

<https://www.phoenixcontact.com/gb/products/2688666>

## Approvals

To download certificates, visit the product detail page: <https://www.phoenixcontact.com/gb/products/2688666>



**DNV GL**

Approval ID: TAA00000DF



**LR**

Approval ID: LR2480202TA



**PRS**

Approval ID: TE/1020/880590/21

**BSH**

Approval ID: 840



**RINA**

Approval ID: ELE008423XG

**ABS**

Approval ID: 23-2449604-PDA



**EAC**

Approval ID: TR\_TS\_D\_01831-19



**cULus Listed**

Approval ID: E238705



# AXL F RS UNI 1H - Communication module



2688666

<https://www.phoenixcontact.com/gb/products/2688666>

## Classifications

### ECLASS

ECLASS-11.0	27242608
ECLASS-12.0	27242608
ECLASS-13.0	27242608

### ETIM

ETIM 9.0	EC001604
----------	----------

### UNSPSC

UNSPSC 21.0	32151600
-------------	----------

2688666

<https://www.phoenixcontact.com/gb/products/2688666>

## Environmental product compliance

### EU RoHS

Fulfills EU RoHS substance requirements	Yes
Exemption	7(a), 7(c)-I

### China RoHS

Environment friendly use period (EFUP)	EFUP-50
	An article-related China RoHS declaration table can be found in the download area for the respective article under "Manufacturer declaration". For all articles with EFUP-E, no China RoHS declaration table issued and required.

### EU REACH SVHC

REACH candidate substance (CAS No.)	Lead(CAS: 7439-92-1)
SCIP	a323d349-35de-42e4-9a85-8d03e30c52a2

### EF3.0 Climate Change

CO2e kg	7.187 kg CO2e
---------	---------------

Phoenix Contact 2025 © - all rights reserved  
<https://www.phoenixcontact.com>

PHOENIX CONTACT Ltd  
 Halesfield 13, Telford  
 Shropshire, TF7 4PG  
 01952 681700  
[info@phoenixcontact.co.uk](mailto:info@phoenixcontact.co.uk)