

AXL F MA DALI2 1H - Communication module



2702864

<https://www.phoenixcontact.com/gb/products/2702864>

Please be informed that the data shown in this PDF document is generated from our online catalog. Please find the complete data in the user documentation. Our general terms of use for downloads are valid.



Axioline F, DALI master, Single client, two channels, integrated DALI power supply unit, transmission speed in the local bus: 100 Mbps, degree of protection: IP20, including bus base module and Axioline F connectors

Product description

The module is designed for use within an Axioline F station. The 2-channel DALI master enables communication with two DALI networks including their bus power supply with up to 230 mA each.

Your advantages

- DALI master with integrated DALI bus supply
- Suitable for single master operation
- Electrical isolation of the DALI bus
- DALI bus protected against unintentional connection of mains voltage (up to 250 V AC)
- Device rating plate stored
- Certified in accordance with DALI-2 standard (single client)

Commercial data

Item number	2702864
Packing unit	1 pc
Minimum order quantity	1 pc
Sales key	DRHABA
Product key	DRHABA
GTIN	4055626463360
Weight per piece (including packing)	190.5 g
Weight per piece (excluding packing)	190.5 g
Customs tariff number	85176200
Country of origin	DE

AXL F MA DALI2 1H - Communication module

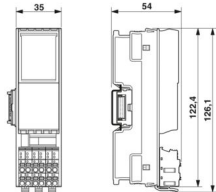


2702864

<https://www.phoenixcontact.com/gb/products/2702864>

Technical data

Dimensions

Dimensional drawing	
Width	35 mm
Height	126.1 mm
Depth	54 mm
Note on dimensions	The depth applies when a TH 35-7.5 DIN rail is used (in accordance with EN 60715).

Notes

Note on application

Note on application	Only for industrial use
---------------------	-------------------------

Interfaces

Axiline F local bus

Number of interfaces	2
Connection method	Bus base module
Transmission speed	100 Mbps

DALI

Number of interfaces	2
Connection method	Push-in connection

Fieldbus: DALI

Designation	DALI
Note	The data apply for DALI bus 1 and DALI bus 2, respectively.
Connection method	Push-in connection
No. of channels	2 (DALI 1, DALI 2)
Supply voltage	typ. 16 V DC (Bus voltage)
Output current	230 mA (guaranteed)
Output current with short-circuit	max. 250 mA
Current carrying capacity	max. 195 mA (Bus load, see derating)
Transmission speed	1200 bps
Type of protection	Bus protected up to 250 V AC, maximum

System properties

AXL F MA DALI2 1H - Communication module



2702864

<https://www.phoenixcontact.com/gb/products/2702864>

Module

Input address area	8 Byte
Output address area	8 Byte

Product properties

Product type	I/O component
Product family	Axioline F
Type	block modular
Mounting position	any (no temperature derating)
Scope of delivery	including bus base module and Axioline F connectors
Special properties	Single client
	two channels
	integrated DALI power supply unit

Insulation characteristics

Overvoltage category	II (IEC 60664-1, EN 60664-1)
Pollution degree	2 (IEC 60664-1, EN 60664-1)

Electrical properties

Potentials: Axioline F local bus supply (U_{BUS})

Supply voltage	5 V DC (via bus base module)
Current draw	max. 65 mA
Power consumption	max. 325 mW

Potentials: Feed-in of supply voltage (U_I)

Supply voltage	24 V DC
Supply voltage range	19.2 V DC ... 30 V DC (including all tolerances, including ripple)
Current draw	max. 470 mA (at nominal voltage)
	typ. 250 mA
Power consumption	max. 8.8 W (both channels loaded with 195 mA)
Protective circuit	Surge protection; electronic (35 V, 0.5 s)
	Reverse polarity protection; parallel diode; with external 5 A fuse
	Transient protection; Suppressor diode

Electrical isolation/isolation of the voltage ranges

Test voltage: 5 V supply of the local bus (U_{BUS}) / 24 V supply (I/Os)	500 V AC, 50 Hz, 1 min
Test voltage: 5 V supply of the local bus (U_{BUS}) / functional ground	500 V AC, 50 Hz, 1 min
Test voltage: 24 V supply (I/O) / functional ground	500 V AC, 50 Hz, 1 min
Test voltage: DALI 1 / DALI 2	500 V AC, 50 Hz, 1 min
Test voltage: DALI / 5 V supply of the local bus (U_{BUS})	1.5 kV AC, 50 Hz, 1 min
Test voltage: DALI/24 V supply (periphery)	1.5 kV AC, 50 Hz, 1 min
Test voltage: DALI/functional ground	1.5 kV AC, 50 Hz, 1 min

Connection data

Connection technology

Connection name	Axioline F connector
Note on the connection method	Please observe the information provided on conductor cross sections in the "Axioline F: system and installation" user manual.

Conductor connection

Connection method	Push-in connection
Conductor cross section rigid	0.2 mm ² ... 1.5 mm ²
Conductor cross section flexible	0.2 mm ² ... 1.5 mm ²
Conductor cross section AWG	24 ... 16
Stripping length	8 mm

Axioline F connector

Connection method	Push-in connection
Note on the connection method	Please observe the information provided on conductor cross sections in the "Axioline F: system and installation" user manual.
Conductor cross section, rigid	0.2 mm ² ... 1.5 mm ²
Conductor cross section, flexible	0.2 mm ² ... 1.5 mm ²
Conductor cross section AWG	24 ... 16
Stripping length	8 mm

Environmental and real-life conditions

Ambient conditions

Ambient temperature (operation)	-25 °C ... 60 °C
Degree of protection	IP20
Air pressure (operation)	70 kPa ... 106 kPa (up to 3000 m above sea level)
Air pressure (storage/transport)	70 kPa ... 106 kPa (up to 3000 m above sea level)
Ambient temperature (storage/transport)	-40 °C ... 85 °C
Permissible humidity (operation)	5 % ... 95 % (non-condensing)
Permissible humidity (storage/transport)	5 % ... 95 % (non-condensing)

Standards and regulations

Protection class	III (IEC 61140, EN 61140, VDE 0140-1)
------------------	---------------------------------------

Mounting

Mounting type	DIN rail mounting
Mounting position	any (no temperature derating)

AXL F MA DALI2 1H - Communication module

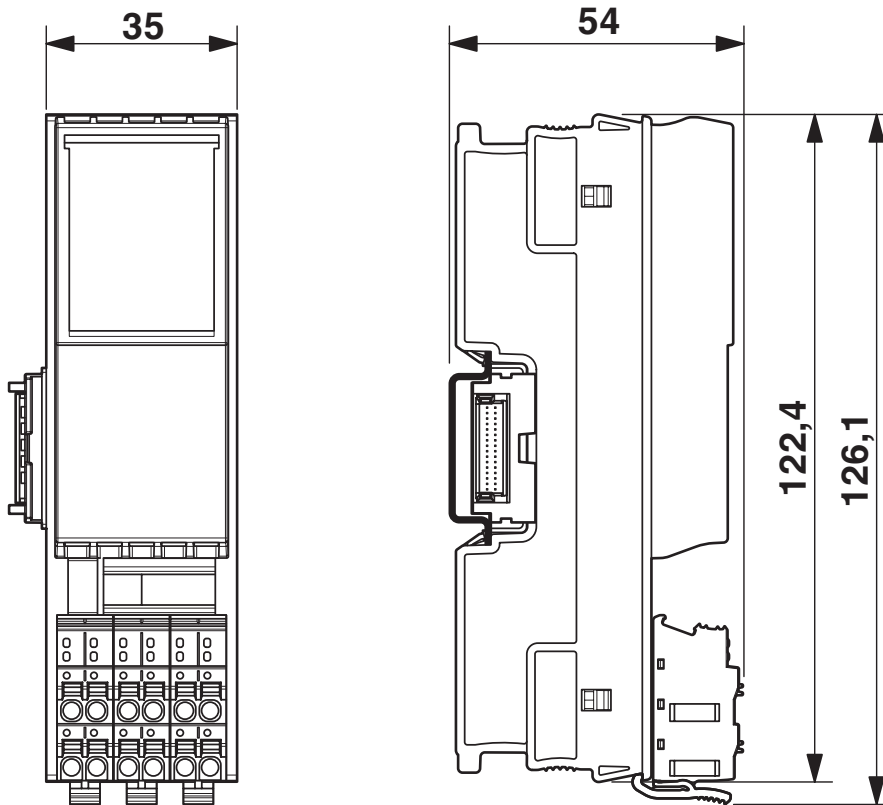


2702864

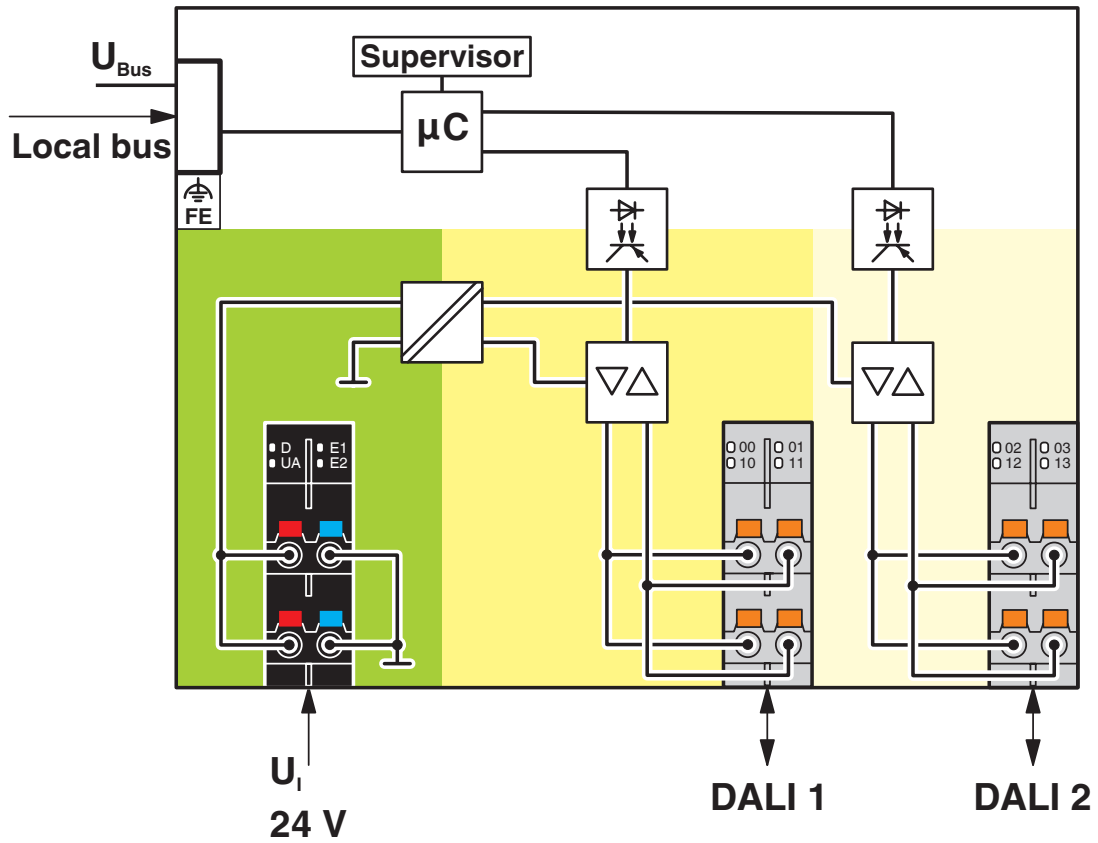
<https://www.phoenixcontact.com/gb/products/2702864>

Drawings

Dimensional drawing



Block diagram



Internal wiring of the terminal points

AXL F MA DALI2 1H - Communication module



2702864

<https://www.phoenixcontact.com/gb/products/2702864>

Approvals

To download certificates, visit the product detail page: <https://www.phoenixcontact.com/gb/products/2702864>



cULus Listed

Approval ID: E238705

AXL F MA DALI2 1H - Communication module



2702864

<https://www.phoenixcontact.com/gb/products/2702864>

Classifications

ECLASS

ECLASS-11.0	27242608
ECLASS-12.0	27242608
ECLASS-13.0	27242608

ETIM

ETIM 9.0	EC001604
----------	----------

UNSPSC

UNSPSC 21.0	32151600
-------------	----------

2702864

<https://www.phoenixcontact.com/gb/products/2702864>

Environmental product compliance

EU RoHS

Fulfills EU RoHS substance requirements	Yes
Exemption	7(a), 7(c)-I

China RoHS

Environment friendly use period (EFUP)	EFUP-E
	No hazardous substances above the limits

EU REACH SVHC

REACH candidate substance (CAS No.)	Lead(CAS: 7439-92-1)
SCIP	42552c89-05d1-405d-8a92-cb7f1802aaf8

Phoenix Contact 2025 © - all rights reserved
<https://www.phoenixcontact.com>

PHOENIX CONTACT Ltd
Halesfield 13, Telford
Shropshire, TF7 4PG
01952 681700
info@phoenixcontact.co.uk