

GW PL ETH/UNI-BUS - Ethernet HART multiplexer



2702233

<https://www.phoenixcontact.com/gb/products/2702233>

Please be informed that the data shown in this PDF document is generated from our online catalog. Please find the complete data in the user documentation. Our general terms of use for downloads are valid.



Ethernet head station for modular HART gateway. Connect up to five GW PL HART...-BUS expansion modules to communicate with up to 40 HART devices. Supports Modbus TCP, OPC UA, PROFINET, HART IP, FDT/DTM and Arcom.

Product description

Ethernet HART multiplexer provides a simple way to parameterize and monitor HART instruments on an Ethernet network and is an ideal replacement for RS-485 HART multiplexer systems. The multiplexer allows users to perform time and money saving operations from the comfort of an office – including loop checks, device calibration, and improved process monitoring with multivariable devices.

Your advantages

- Available communication DTM integrates into an FDT/DTM container and provides the ability to remotely configure HART instruments
- Extended temperature range of -40 °C ... +70 °C
- Independent HART controller per channel ensures fastest update rates
- Monitor PV, SV, TV, QV HART variables using Modbus/TCP or PROFINET
- Monitor up to 14 HART variables using OPC UA
- Supports Arcom for simple integration into Emerson AMS

Commercial data

Item number	2702233
Packing unit	1 pc
Minimum order quantity	1 pc
Sales key	DNC322
Product key	DNC322
Catalog page	Page 463 (C-6-2019)
GTIN	4055626067049
Weight per piece (including packing)	218.8 g
Weight per piece (excluding packing)	216.9 g
Customs tariff number	85176200
Country of origin	DE

Technical data

Notes

Note on application

Note on application	Only for industrial use
---------------------	-------------------------

Utilization restriction

CCCex note	Use in potentially explosive areas is not permitted in China.
------------	---

Product properties

Product type	Gateways/Proxies
MTBF	292 Years (Siemens model SN29500, temperature 40°C, env. factor 1.5 and stress factor 50%)

Electrical properties

Test voltage data interface/power supply	500 V AC
--	----------

Supply

Supply voltage range	19.2 V DC ... 30 V DC
Typical current consumption	46 mA (at 24 V DC)
Max. current consumption	63 mA (at 24 V DC)

Interfaces

Web server	yes
------------	-----

Data

Transmission length	≤ 100 m
Output nominal voltage	24 V DC
Maximum output current	3.937 A (per station)

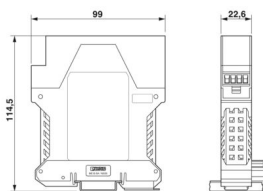
Data: Modbus/TCP, HART IP, PROFINET

Connection method	RJ45 socket, auto negotiation and auto crossing
Protocols supported	Modbus/TCP, HART IP, PROFINET

Signaling

Status display	Green LED (power and status)
----------------	------------------------------

Dimensions

Dimensional drawing	
Width	22.5 mm

2702233

<https://www.phoenixcontact.com/gb/products/2702233>

Height	99 mm
Depth	114.5 mm

Material specifications

Color	gray
-------	------

Environmental and real-life conditions

Ambient conditions

Degree of protection	IP20
Ambient temperature (operation)	-40 °C ... 70 °C
	-40 °F ... 158 °F
Ambient temperature (storage/transport)	-40 °C ... 85 °C

Approvals

Conformity/Approvals

Conformance	CE-compliant
Noxious gas test	ISA-S71.04-1985 G3 Harsh Group A

Ex data

ATEX	⊕ II 3 G Ex nA IIC T4 Gc DEMKO 17 ATEX 1749X
IECEX	IECEX ULD 17.0020X Ex nA IIC T4 Gc
UL, USA / Canada	Class I, Div. 2, Groups A, B, C, D

EMC data

Electromagnetic compatibility	Conformance with EMC Directive 2004/108/EC
-------------------------------	--

Mounting

Mounting type	DIN rail mounting
Assembly note	on standard DIN rail NS 35 in accordance with EN 60715
Mounting position	any

GW PL ETH/UNI-BUS - Ethernet HART multiplexer

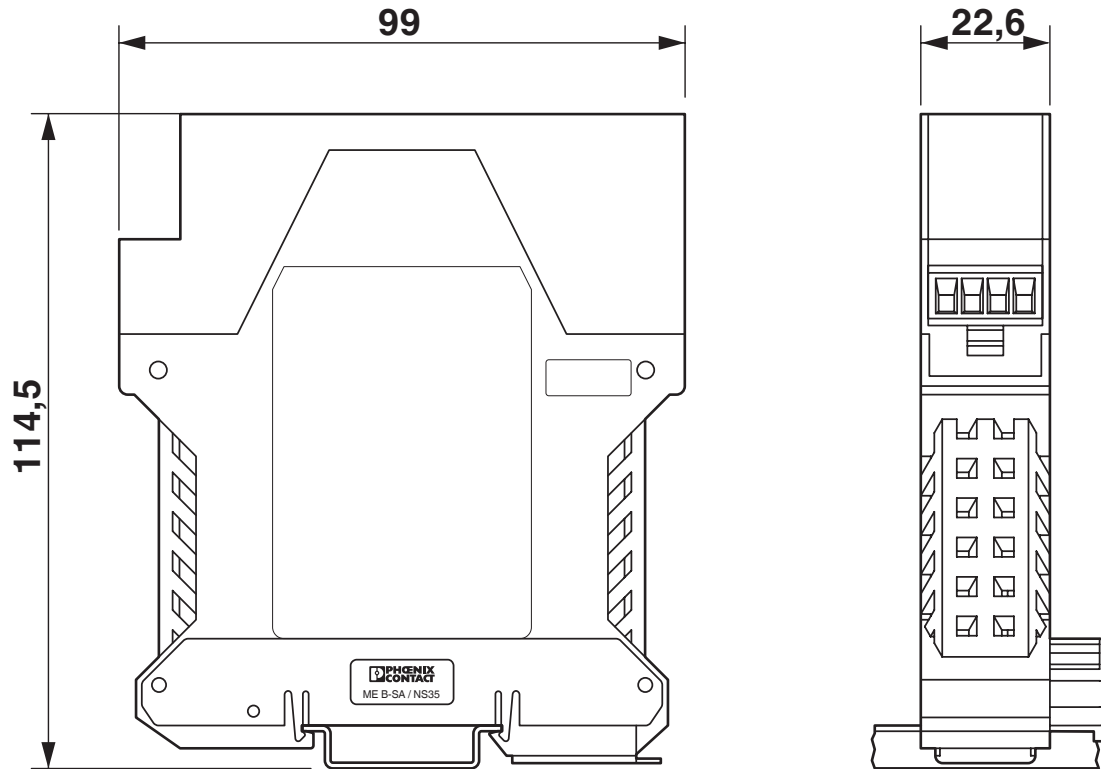
2702233

<https://www.phoenixcontact.com/gb/products/2702233>



Drawings

Dimensional drawing



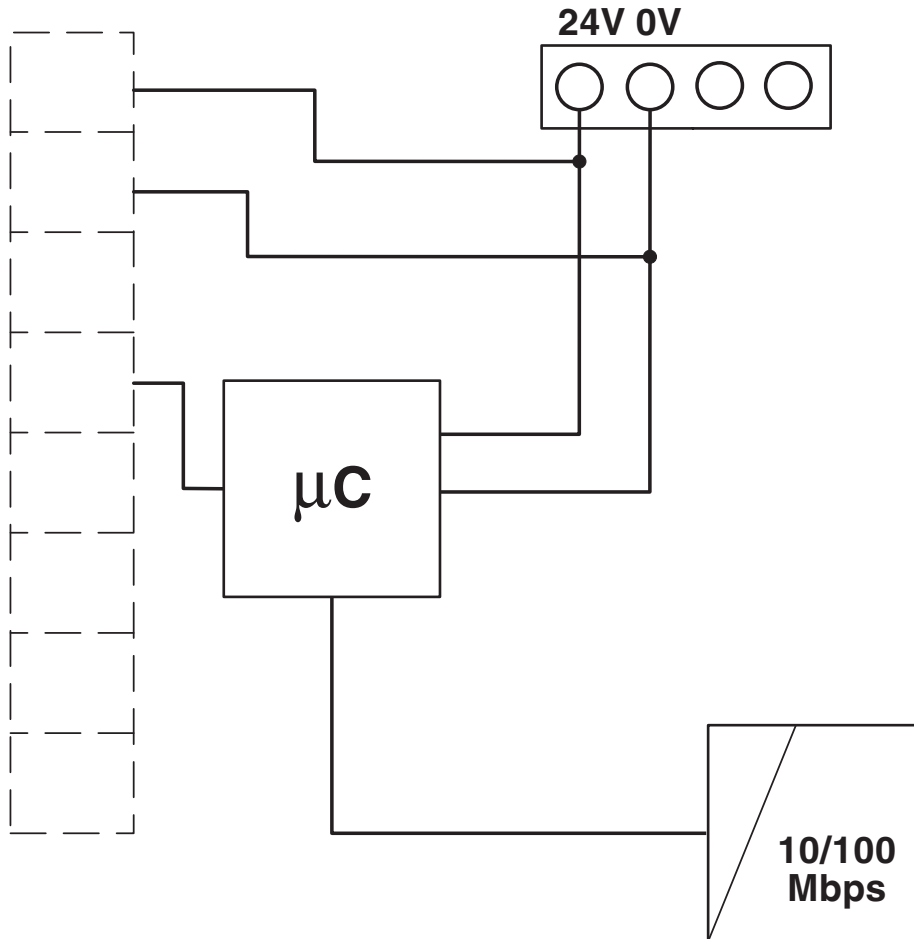
GW PL ETH/UNI-BUS - Ethernet HART multiplexer



2702233

<https://www.phoenixcontact.com/gb/products/2702233>

Block diagram




2702233

<https://www.phoenixcontact.com/gb/products/2702233>


Approvals

🔗 To download certificates, visit the product detail page: <https://www.phoenixcontact.com/gb/products/2702233>


 **UL Listed**
Approval ID: E238705


 **cUL Listed**
Approval ID: E238705

PROFINET
Approval ID: Z12378

 **IECEx**
Approval ID: IECEx ULD 17.0020X

 **cUL Listed**
Approval ID: E196811

 **UL Listed**
Approval ID: E196811

 **ATEX**
Approval ID: DEMKO 17 ATEX 1749X

cULus Listed

cULus Listed

GW PL ETH/UNI-BUS - Ethernet HART multiplexer



2702233

<https://www.phoenixcontact.com/gb/products/2702233>

Classifications

ECLASS

ECLASS-11.0	27242208
ECLASS-12.0	27242208
ECLASS-13.0	27242208

ETIM

ETIM 9.0	EC001423
----------	----------

UNSPSC

UNSPSC 21.0	32151700
-------------	----------

2702233

<https://www.phoenixcontact.com/gb/products/2702233>

Environmental product compliance

EU RoHS

Fulfills EU RoHS substance requirements	Yes, No exemptions
---	--------------------

China RoHS

Environment friendly use period (EFUP)	EFUP-E
	No hazardous substances above the limits

EU REACH SVHC

REACH candidate substance (CAS No.)	No substance above 0.1 wt%
-------------------------------------	----------------------------

Phoenix Contact 2025 © - all rights reserved
<https://www.phoenixcontact.com>

PHOENIX CONTACT Ltd
Halesfield 13, Telford
Shropshire, TF7 4PG
01952 681700
info@phoenixcontact.co.uk