

NS 35/ 7,5 WH PERF(5,2X25)2000MM-VPE 10 - DIN rail perforated



1206418

<https://www.phoenixcontact.com/gb/products/1206418>

Please be informed that the data shown in this PDF document is generated from our online catalog. Please find the complete data in the user documentation. Our general terms of use for downloads are valid.



DIN rail perforated, Pack of 10 (20 m), acc. to EN 60715, material: Steel, galvanized, white passivated, Standard profile, color: silver

Commercial data

Item number	1206418
Packing unit	10 pc
Minimum order quantity	5 pc
Sales key	BE7243
Product key	BE7243
Catalog page	Page 529 (C-3-2019)
GTIN	4017918170820
Weight per piece (including packing)	660 g
Weight per piece (excluding packing)	660 g
Customs tariff number	72166190
Country of origin	DE

NS 35/ 7,5 WH PERF(5,2X25)2000MM-VPE 10 - DIN rail perforated



1206418

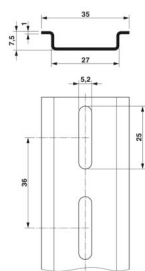
<https://www.phoenixcontact.com/gb/products/1206418>

Technical data

Product properties

Product type	DIN rail
--------------	----------

Dimensions

Dimensional drawing	
Width	35 mm
Hole width	25 mm
Hole height	5.2 mm
Depth	7.5 mm
Length	2000 mm
Drill hole spacing	36 mm

Material specifications

Color	silver-colored
Material	Steel
Coating	galvanized, white passivated

Standards and regulations

Connection in acc. with standard	IEC / EN
Tests	acc. to EN 60715

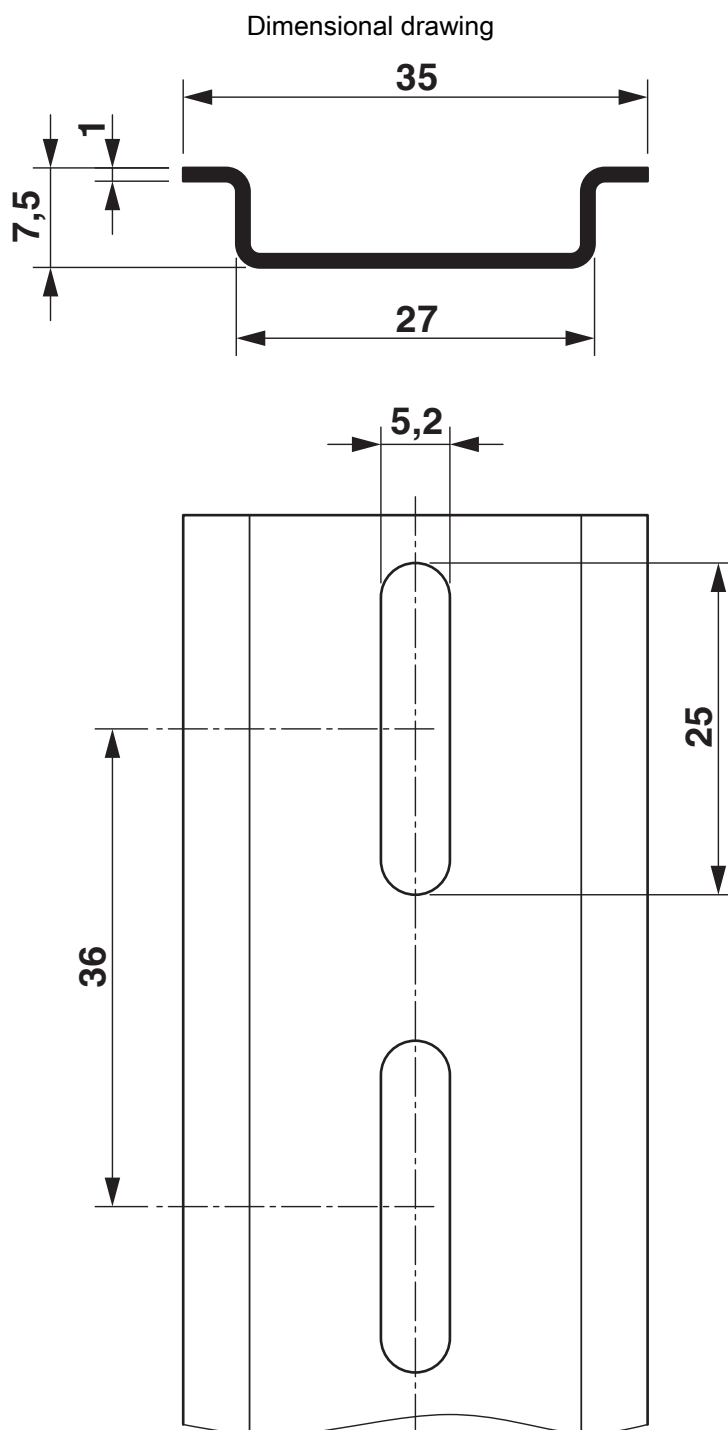
NS 35/ 7,5 WH PERF(5,2X25)2000MM-VPE 10 - DIN rail perforated



1206418

<https://www.phoenixcontact.com/gb/products/1206418>

Drawings



NS 35/ 7,5 WH PERF(5,2X25)2000MM-VPE 10 - DIN rail perforated



1206418

<https://www.phoenixcontact.com/gb/products/1206418>

Classifications

ECLASS

ECLASS-11.0	27400602
ECLASS-13.0	27400602
ECLASS-12.0	27400602

ETIM

ETIM 9.0	EC001285
----------	----------

UNSPSC

UNSPSC 21.0	39121700
-------------	----------

NS 35/ 7,5 WH PERF(5,2X25)2000MM-VPE 10 - DIN rail perforated



1206418

<https://www.phoenixcontact.com/gb/products/1206418>

Environmental product compliance

EU RoHS

Fulfills EU RoHS substance requirements	Yes, No exemptions
---	--------------------

China RoHS

Environment friendly use period (EFUP)	EFUP-E
	No hazardous substances above the limits

EU REACH SVHC

REACH candidate substance (CAS No.)	No substance above 0.1 wt%
-------------------------------------	----------------------------

Phoenix Contact 2025 © - all rights reserved
<https://www.phoenixcontact.com>

PHOENIX CONTACT Ltd
Halesfield 13, Telford
Shropshire, TF7 4PG
01952 681700
info@phoenixcontact.co.uk