

NS 15 ZN UNPERF 3000MM - DIN rail, unperforated



1207268

<https://www.phoenixcontact.com/gb/products/1207268>

Please be informed that the data shown in this PDF document is generated from our online catalog. Please find the complete data in the user documentation. Our general terms of use for downloads are valid.



DIN rail, unperforated, acc. to EN 60715, material: Steel, galvanized, Standard profile, color: silver

Commercial data

Item number	1207268
Packing unit	5 pc
Minimum order quantity	5 pc
Sales key	BE7222
Product key	BE7222
GTIN	4017918208530
Weight per piece (including packing)	450 g
Weight per piece (excluding packing)	450 g
Customs tariff number	72166190
Country of origin	DE

NS 15 ZN UNPERF 3000MM - DIN rail, unperforated



1207268

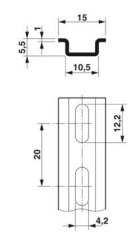
<https://www.phoenixcontact.com/gb/products/1207268>

Technical data

Product properties

Product type	DIN rail
--------------	----------

Dimensions

Dimensional drawing	
Width	15 mm
Hole width	0 mm
Hole height	0 mm
Depth	5.5 mm
Length	3000 mm

Material specifications

Color	silver-colored
Material	Steel
Coating	galvanized

Standards and regulations

Tests	acc. to EN 60715
-------	------------------

NS 15 ZN UNPERF 3000MM - DIN rail, unperforated

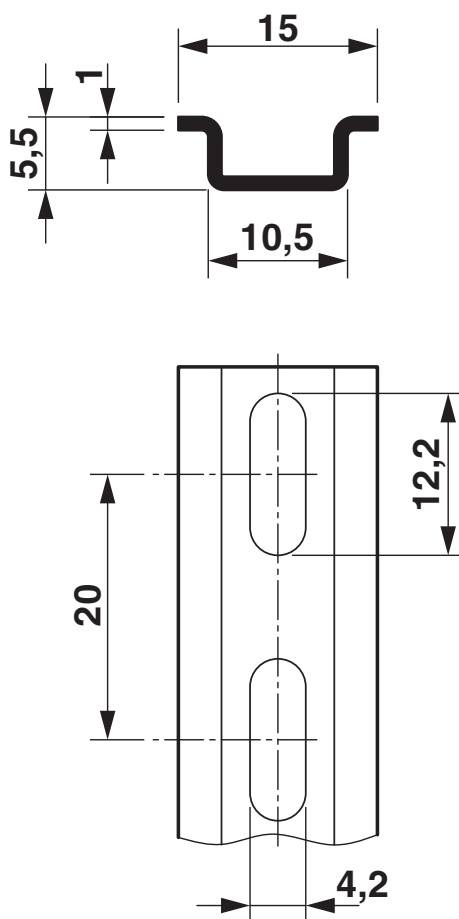
1207268

<https://www.phoenixcontact.com/gb/products/1207268>



Drawings

Dimensional drawing



NS 15 ZN UNPERF 3000MM - DIN rail, unperforated



1207268

<https://www.phoenixcontact.com/gb/products/1207268>

Classifications

ECLASS

ECLASS-11.0	27400602
ECLASS-13.0	27400602
ECLASS-12.0	27400602

ETIM

ETIM 9.0	EC001285
----------	----------

UNSPSC

UNSPSC 21.0	39121700
-------------	----------

NS 15 ZN UNPERF 3000MM - DIN rail, unperforated



1207268

<https://www.phoenixcontact.com/gb/products/1207268>

Environmental product compliance

EU RoHS

Fulfills EU RoHS substance requirements	Yes, No exemptions
---	--------------------

China RoHS

Environment friendly use period (EFUP)	EFUP-E
	No hazardous substances above the limits

EU REACH SVHC

REACH candidate substance (CAS No.)	No substance above 0.1 wt%
-------------------------------------	----------------------------

Phoenix Contact 2025 © - all rights reserved
<https://www.phoenixcontact.com>

PHOENIX CONTACT Ltd
Halesfield 13, Telford
Shropshire, TF7 4PG
01952 681700
info@phoenixcontact.co.uk