

# BG/SHA - Angled brackets

1201594

<https://www.phoenixcontact.com/gb/products/1201594>

Please be informed that the data shown in this PDF document is generated from our online catalog. Please find the complete data in the user documentation. Our general terms of use for downloads are valid.



Angled brackets with M6 screw, DIN rail limit stop, for fixing DIN rails at an angle of 30°, height: 46 mm

## Your advantages

- The BG/S brackets can be used to fix DIN rails at a distance from the mounting surface
- 30° tilt angle

## Commercial data

Item number	1201594
Packing unit	10 pc
Minimum order quantity	10 pc
Sales key	BE7112
Product key	BE7112
Catalog page	Page 544 (C-3-2019)
GTIN	4017918017408
Weight per piece (including packing)	48.96 g
Weight per piece (excluding packing)	48.46 g
Customs tariff number	73269098
Country of origin	DE

# BG/SHA - Angled brackets

1201594

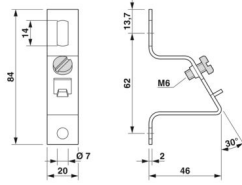
<https://www.phoenixcontact.com/gb/products/1201594>

## Technical data

### Product properties

Product type	DIN rail
--------------	----------

### Dimensions

Dimensional drawing	
Width	20 mm
Height	84 mm
Depth	46 mm
Length	84 mm

### Material specifications

Color	silver-colored
Material	Steel
Coating	galvanized, passivated with a thick layer

# BG/SHA - Angled brackets

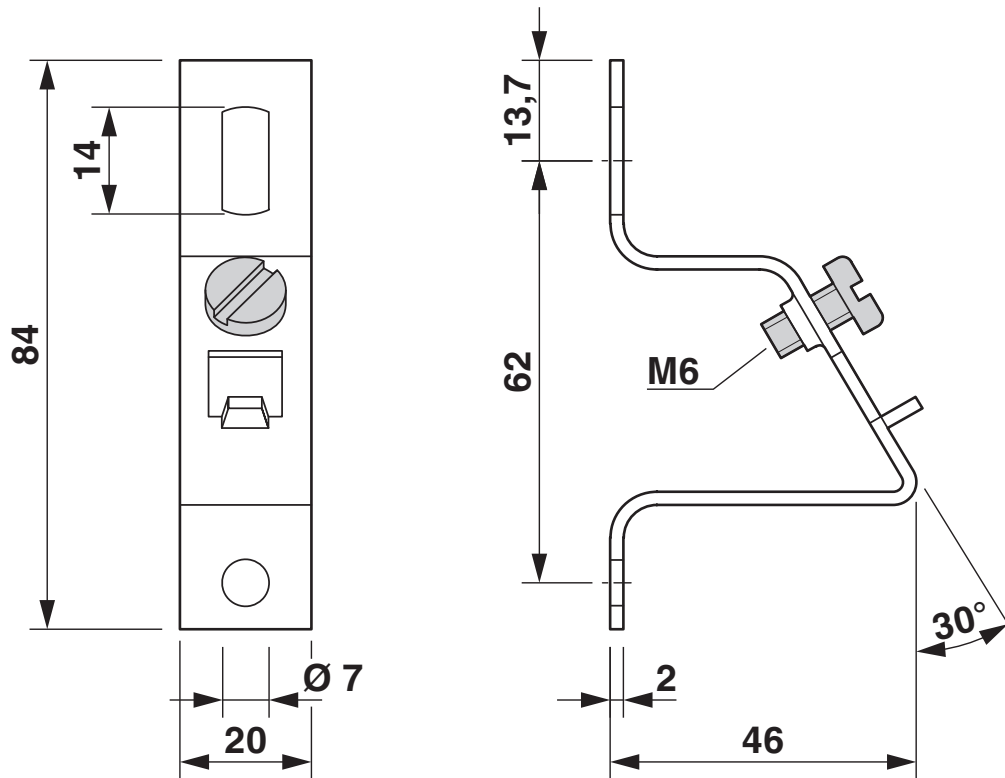
1201594

<https://www.phoenixcontact.com/gb/products/1201594>



## Drawings

Dimensional drawing



# BG/SHA - Angled brackets

1201594

<https://www.phoenixcontact.com/gb/products/1201594>



## Classifications

### ECLASS

ECLASS-11.0	27370419
ECLASS-12.0	27370419
ECLASS-13.0	27370419

### ETIM

ETIM 9.0	EC001024
----------	----------

### UNSPSC

UNSPSC 21.0	39121400
-------------	----------

# BG/SHA - Angled brackets



1201594

<https://www.phoenixcontact.com/gb/products/1201594>

## Environmental product compliance

### EU RoHS

Fulfills EU RoHS substance requirements	Yes, No exemptions
---	--------------------

### China RoHS

Environment friendly use period (EFUP)	EFUP-E
	No hazardous substances above the limits

### EU REACH SVHC

REACH candidate substance (CAS No.)	No substance above 0.1 wt%
-------------------------------------	----------------------------

Phoenix Contact 2025 © - all rights reserved  
<https://www.phoenixcontact.com>

PHOENIX CONTACT Ltd  
Halesfield 13, Telford  
Shropshire, TF7 4PG  
01952 681700  
[info@phoenixcontact.co.uk](mailto:info@phoenixcontact.co.uk)