

# BL2 BPC 2101 - Box PC



1099302

<https://www.phoenixcontact.com/gb/products/1099302>

Please be informed that the data shown in this PDF document is generated from our online catalog. Please find the complete data in the user documentation. Our general terms of use for downloads are valid.

IP20-rated fanless industrial box PC (BPC) with energy-efficient Intel® Pentium® quad-core processor with 4 GB of RAM and an open M.2 slot for mass storage



## Commercial data

Item number	1099302
Packing unit	1 pc
Minimum order quantity	1 pc
Note	Made to order (non-returnable)
Sales key	DRBABA
Product key	DRBABA
GTIN	4063151019709
Weight per piece (including packing)	1.674 g
Weight per piece (excluding packing)	1.292 g
Customs tariff number	84715000
Country of origin	TW

## Technical data

### Product properties

Product type	Box PC
--------------	--------

#### Computer data

Processor	Intel® Pentium® N4200 1.1/2.5 GHz
Operating system	without operating system
RAM	4 GB DDR3
Data storage system	M.2 SSD
Cooling	passive

#### Display

Display type	without display
--------------	-----------------

### Electrical properties

Service life of battery	5 years (typical)
-------------------------	-------------------

#### Supply

Power supply unit	24 V DC $\pm$ 20 %
-------------------	--------------------

#### Real-time clock

Realtime clock	Yes (battery-backed)
----------------	----------------------

### Interfaces

Interfaces	1x COM (RS-232/422/485)
	2x COM (RS-232)
	2x USB 2.0
	2x USB 3.0
Monitor output	2x DisplayPort
Network	2x Ethernet (10/100/1000 Mbps), RJ45
LAN chipset	Intel® I210-AT

### Dimensions

#### External dimensions

Width / Height / Depth	185 mm / 131 mm / 54 mm
------------------------	-------------------------

#### Installation dimensions

Width / Height / Installation depth	194 mm / 94 mm /
-------------------------------------	------------------

### Environmental and real-life conditions

#### Ambient conditions

Degree of protection	IP20
Ambient temperature (operation)	0 °C ... 50 °C
Ambient temperature (storage/transport)	-20 °C ... 75 °C

# BL2 BPC 2101 - Box PC



1099302

<https://www.phoenixcontact.com/gb/products/1099302>

Permissible humidity (operation)	10 % ... 90 % (non-condensing)
Permissible humidity (storage/transport)	10 % ... 90 % (non-condensing)
Shock	20g, 11 ms in accordance with IEC 60068-2-27
Vibration (operation)	2g <sub>rms</sub> @ sine, 5~500 Hz, 1 h/axis (panel mounting; SSD operating) according to EN 60068-2-6 0.5g <sub>rms</sub> @ sine, 5~500 Hz, 1 h/axis (panel mounting; HDD operating) according to EN 60068-2-6

## Mounting

Mounting type	Panel mounting
	DIN rail mounting

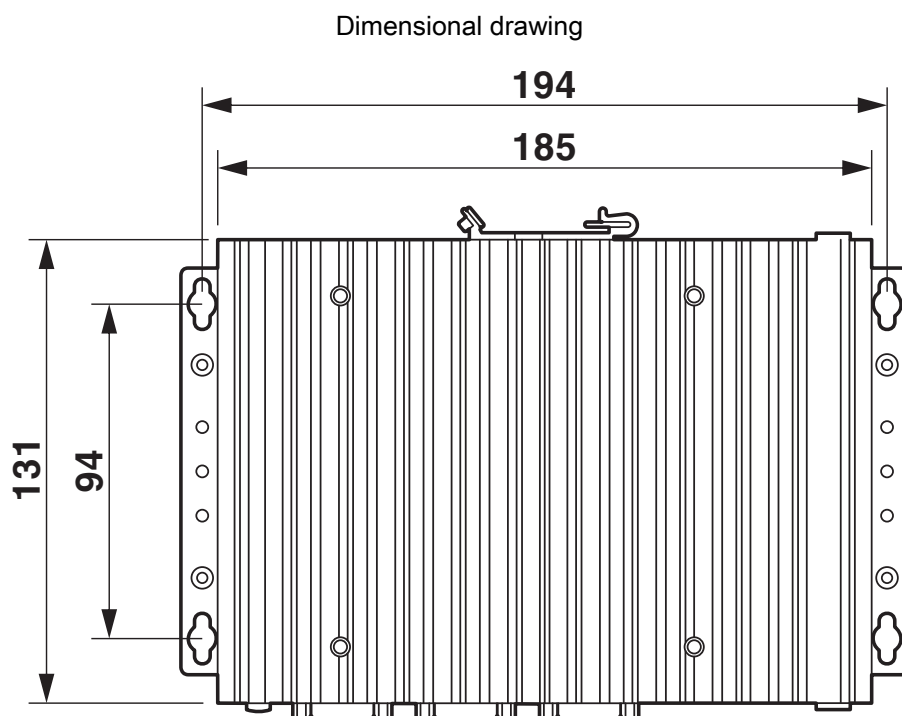
# BL2 BPC 2101 - Box PC

1099302

<https://www.phoenixcontact.com/gb/products/1099302>



## Drawings



# BL2 BPC 2101 - Box PC

1099302

<https://www.phoenixcontact.com/gb/products/1099302>



## Classifications

### ECLASS

ECLASS-11.0	19200102
ECLASS-12.0	19200102
ECLASS-13.0	19200102

### ETIM

ETIM 9.0	EC001413
----------	----------

### UNSPSC

UNSPSC 21.0	43211500
-------------	----------

1099302

<https://www.phoenixcontact.com/gb/products/1099302>

## Environmental product compliance

### EU RoHS

Fulfills EU RoHS substance requirements	Yes
Exemption	7(a), 7(c)-I

### China RoHS

Environment friendly use period (EFUP)	EFUP-10
	An article-related China RoHS declaration table can be found in the download area for the respective article under "Manufacturer declaration". For all articles with EFUP-E, no China RoHS declaration table issued and required.

### EU REACH SVHC

REACH candidate substance (CAS No.)	Lead(CAS: 7439-92-1)
-------------------------------------	----------------------

Phoenix Contact 2025 © - all rights reserved  
<https://www.phoenixcontact.com>

PHOENIX CONTACT Ltd  
Halesfield 13, Telford  
Shropshire, TF7 4PG  
01952 681700  
[info@phoenixcontact.co.uk](mailto:info@phoenixcontact.co.uk)