

# RAD-ISM-900-ANT-YAGI-3-N - Antenna



2867801

<https://www.phoenixcontact.com/gb/products/2867801>

Please be informed that the data shown in this PDF document is generated from our online catalog. Please find the complete data in the user documentation. Our general terms of use for downloads are valid.

Directional antenna, 868 MHz / 900 MHz, gain: 5 dBi, polarization: linear, opening angle: h/v 168°/78°, degree of protection: IP65, connection: N (female), incl. mounting bracket and mast clips



## Your advantages

- For stationary or linear mobile applications
- For point-to-point connections
- For large distances

## Commercial data

Item number	2867801
Packing unit	1 pc
Minimum order quantity	1 pc
Sales key	DNC6A3
Product key	DNC6A3
Catalog page	Page 395 (C-6-2019)
GTIN	4017918976668
Weight per piece (including packing)	1,277.8 g
Weight per piece (excluding packing)	1,205 g
Customs tariff number	85177100
Country of origin	US

# RAD-ISM-900-ANT-YAGI-3-N - Antenna



2867801

<https://www.phoenixcontact.com/gb/products/2867801>

## Technical data

### Notes

#### Note on application

Note on application	Only for industrial use
---------------------	-------------------------

### Product properties

Product type	Antenna
Gain	5 dBi
Vertical beamwidth	78 °
Horizontal beamwidth	168 °
Polarization	Linear vertical or horizontal

### Electrical properties

Frequency band	900 MHz
Frequency range	900 MHz
Impedance	50 Ω
Voltage standing wave ratio VSWR in a 50 Ω system	≤ 1.50

### Connection data

#### Connection technology

Connection method	N (female) with cable (0.6 m)
Outside diameter	32 mm ... 60 mm (Mast)

### Dimensions

Width	6 cm
Height	17 cm

#### External dimensions

Outside diameter	32 mm ... 60 mm (Mast)
------------------	------------------------

### Material specifications

Material	Aluminum
	V2A
	V2A

### Cable/line

Cable length	0.60 m
Connecting cable	yes

### Environmental and real-life conditions

#### Ambient conditions

Degree of protection	IP65
----------------------	------

# RAD-ISM-900-ANT-YAGI-3-N - Antenna



2867801

<https://www.phoenixcontact.com/gb/products/2867801>

Ambient temperature (operation)	-40 °C ... 80 °C
Wind velocity	15.4321 km/h

## Mounting

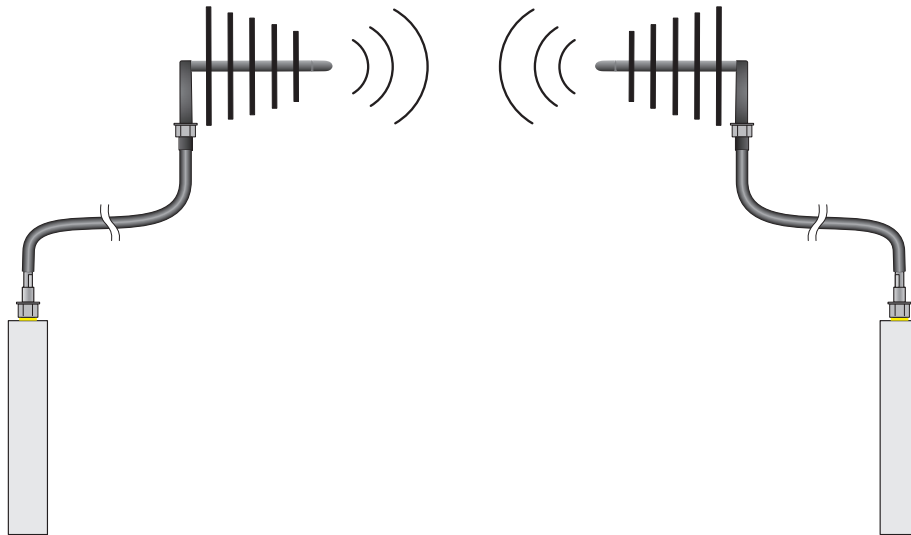
Mounting type	Mast mounting
---------------	---------------

2867801

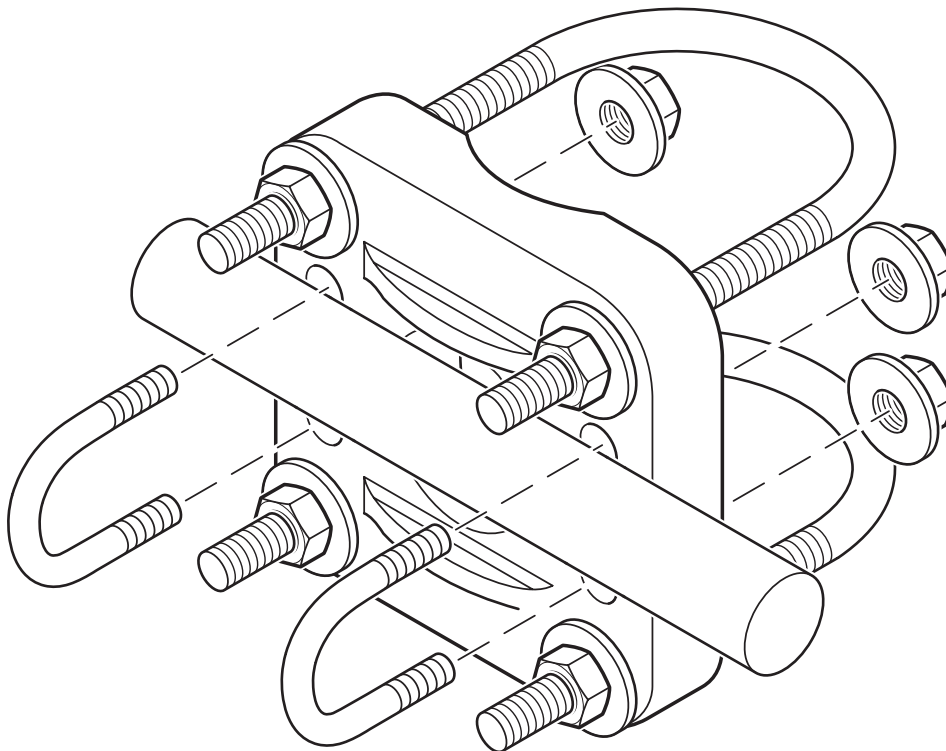
<https://www.phoenixcontact.com/gb/products/2867801>

## Drawings

Schematic diagram



Schematic diagram

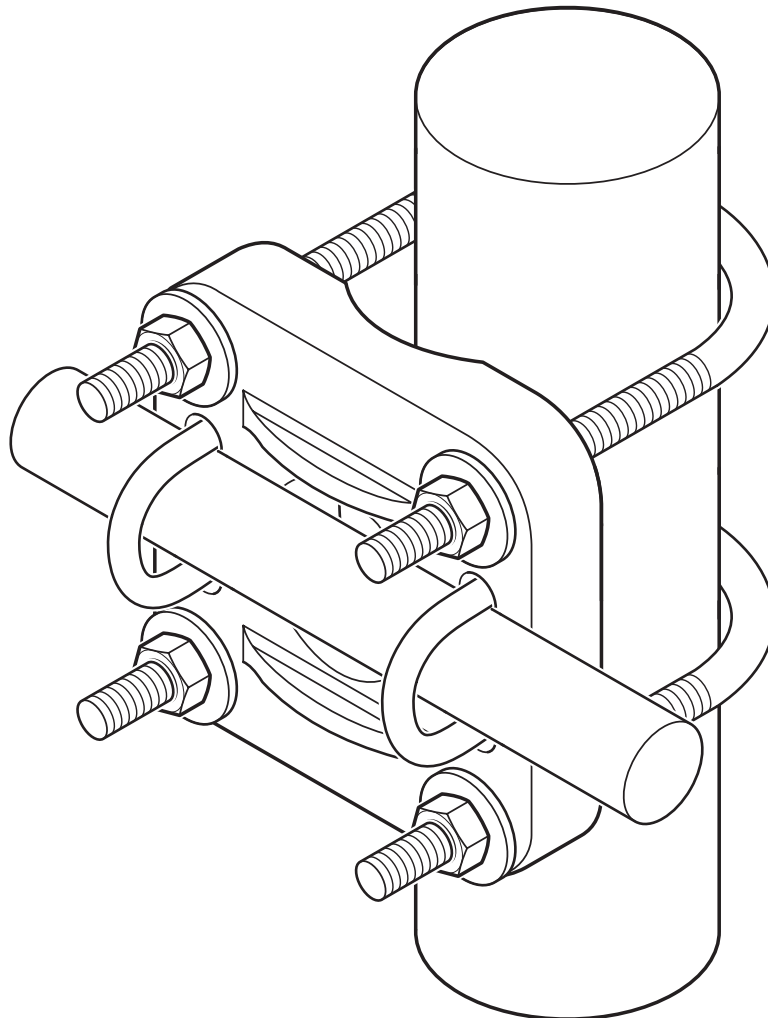


# RAD-ISM-900-ANT-YAGI-3-N - Antenna

2867801

<https://www.phoenixcontact.com/gb/products/2867801>

Schematic diagram



Mast mounting

# RAD-ISM-900-ANT-YAGI-3-N - Antenna



2867801

<https://www.phoenixcontact.com/gb/products/2867801>

## Classifications

### ECLASS

ECLASS-11.0	19070105
ECLASS-12.0	19070105
ECLASS-13.0	19070105

### ETIM

ETIM 9.0	EC001698
----------	----------

### UNSPSC

UNSPSC 21.0	43223100
-------------	----------

2867801

<https://www.phoenixcontact.com/gb/products/2867801>

## Environmental product compliance

### EU RoHS

Fulfills EU RoHS substance requirements	Yes
Exemption	6(c)

### China RoHS

Environment friendly use period (EFUP)	EFUP-50
	An article-related China RoHS declaration table can be found in the download area for the respective article under "Manufacturer declaration". For all articles with EFUP-E, no China RoHS declaration table issued and required.

### EU REACH SVHC

REACH candidate substance (CAS No.)	Lead(CAS: 7439-92-1)
SCIP	6c00b5b0-a334-4db0-b629-3be29a13bcc5

Phoenix Contact 2025 © - all rights reserved

<https://www.phoenixcontact.com>

PHOENIX CONTACT Ltd  
Halesfield 13, Telford  
Shropshire, TF7 4PG  
01952 681700  
[info@phoenixcontact.co.uk](mailto:info@phoenixcontact.co.uk)