

# RAD-ISM-2400-ANT-OMNI-2-1-RSMA - Antenna



2701362

<https://www.phoenixcontact.com/gb/products/2701362>

Please be informed that the data shown in this PDF document is generated from our online catalog. Please find the complete data in the user documentation. Our general terms of use for downloads are valid.



Omnidirectional antenna for panel mounting, frequency band: 2.4 GHz, gain: 2 dBi, degree of protection: IP65, connection: RSMA (male), incl. 1.5 m connecting cable, mounting bracket, and mounting material

## Your advantages

- Ideally suited for freely mobile or stationary 2.4 GHz applications
- Including 1.5 m connecting cable

## Commercial data

Item number	2701362
Packing unit	1 pc
Minimum order quantity	1 pc
Sales key	DNN2Z1
Product key	DNN2Z1
Catalog page	Page 388 (C-6-2019)
GTIN	4046356743471
Weight per piece (including packing)	91 g
Weight per piece (excluding packing)	70 g
Customs tariff number	85177100
Country of origin	TW

## Technical data

### Notes

#### Note on application

Note on application	Only for industrial use
---------------------	-------------------------

### Product properties

Product type	Antenna
Radiation characteristics	Omnidirectional
Gain	2 dBi
Vertical beamwidth	75 °
Horizontal beamwidth	360 °
Polarization	Linear vertical

### Electrical properties

Frequency band	2.4 GHz
Frequency range	2.4 GHz ... 2.5 GHz
Impedance	50 Ω
Maximum capacity	1.00 W
Voltage standing wave ratio VSWR in a 50 Ω system	≤ 2.00

### Connection data

#### Connection technology

Connection method	RSMA (male)
-------------------	-------------

### Dimensions

Height	82.5 mm
Diameter	7.8 mm

### Material specifications

Material	Polyurethane
	Polycarbonate PC
	V2A
Outer sheath, material	Fluorinated ethylene propylene (FEP)

### Cable/line

Cable length	1.50 m
Connecting cable	yes
External cable diameter	2.50 mm
Outer sheath, material	Fluorinated ethylene propylene (FEP)
Smallest bending radius, fixed installation	25.4 mm

### Environmental and real-life conditions

# RAD-ISM-2400-ANT-OMNI-2-1-RSMA - Antenna



2701362

<https://www.phoenixcontact.com/gb/products/2701362>

## Ambient conditions

Degree of protection	IP65
Ambient temperature (operation)	-20 °C ... 65 °C
Ambient temperature (storage/transport)	-30 °C ... 75 °C

## Mounting

Mounting type	Panel mounting
Assembly note	Outdoors and indoors

# RAD-ISM-2400-ANT-OMNI-2-1-RSMA - Antenna

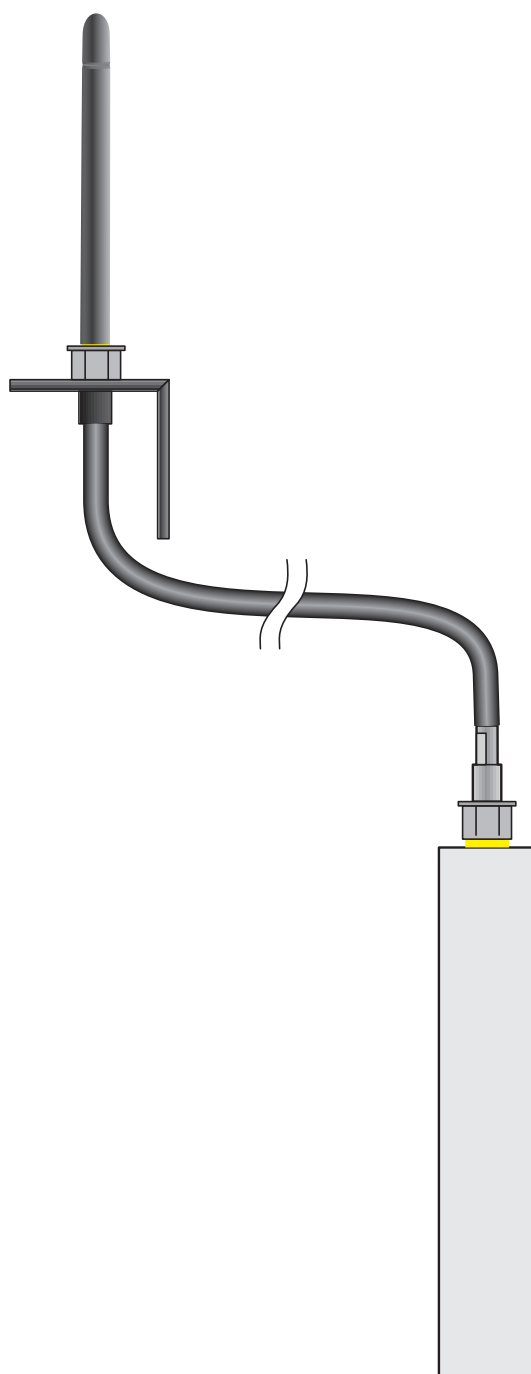
2701362

<https://www.phoenixcontact.com/gb/products/2701362>



## Drawings

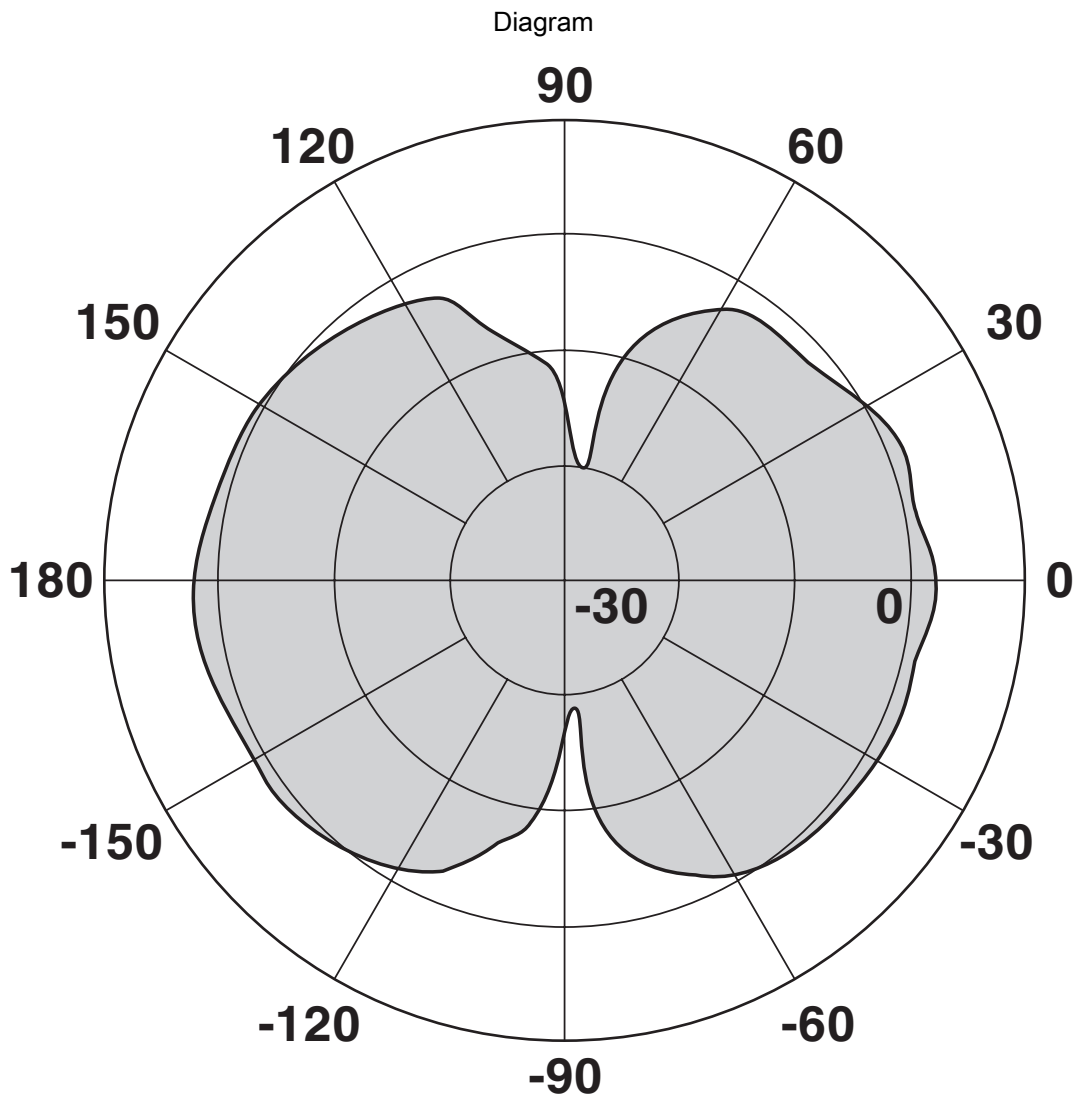
Schematic diagram



## Installation example

2701362

<https://www.phoenixcontact.com/gb/products/2701362>



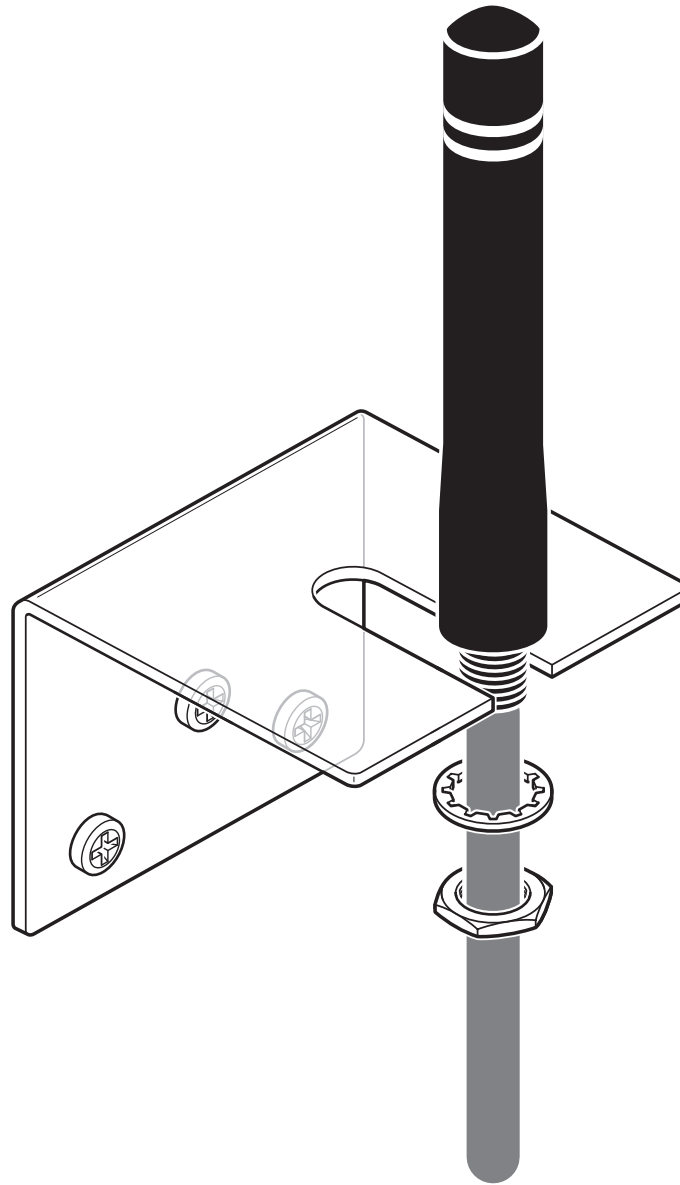
Vertical

# RAD-ISM-2400-ANT-OMNI-2-1-RSMA - Antenna

2701362

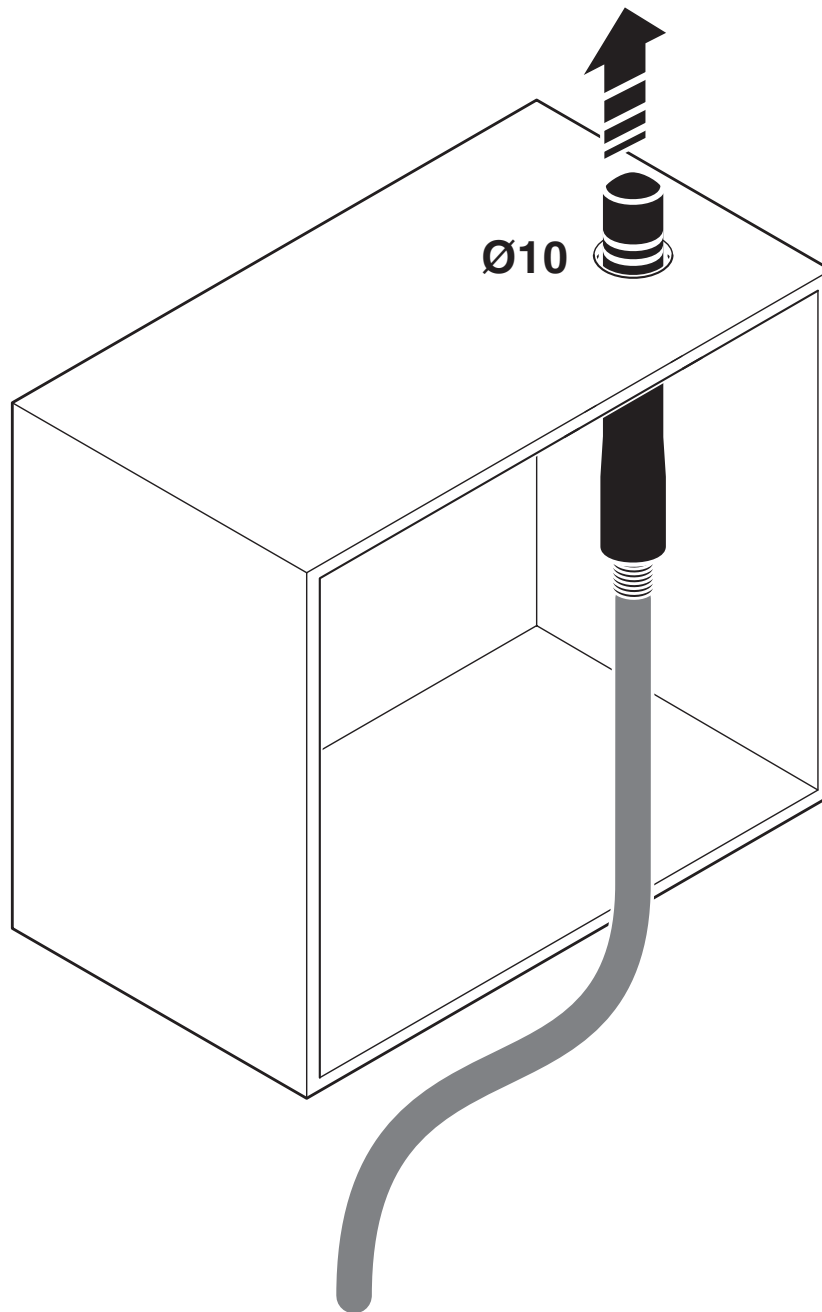
<https://www.phoenixcontact.com/gb/products/2701362>

Schematic diagram



Panel mounting

Schematic diagram



Control cabinet feed-through

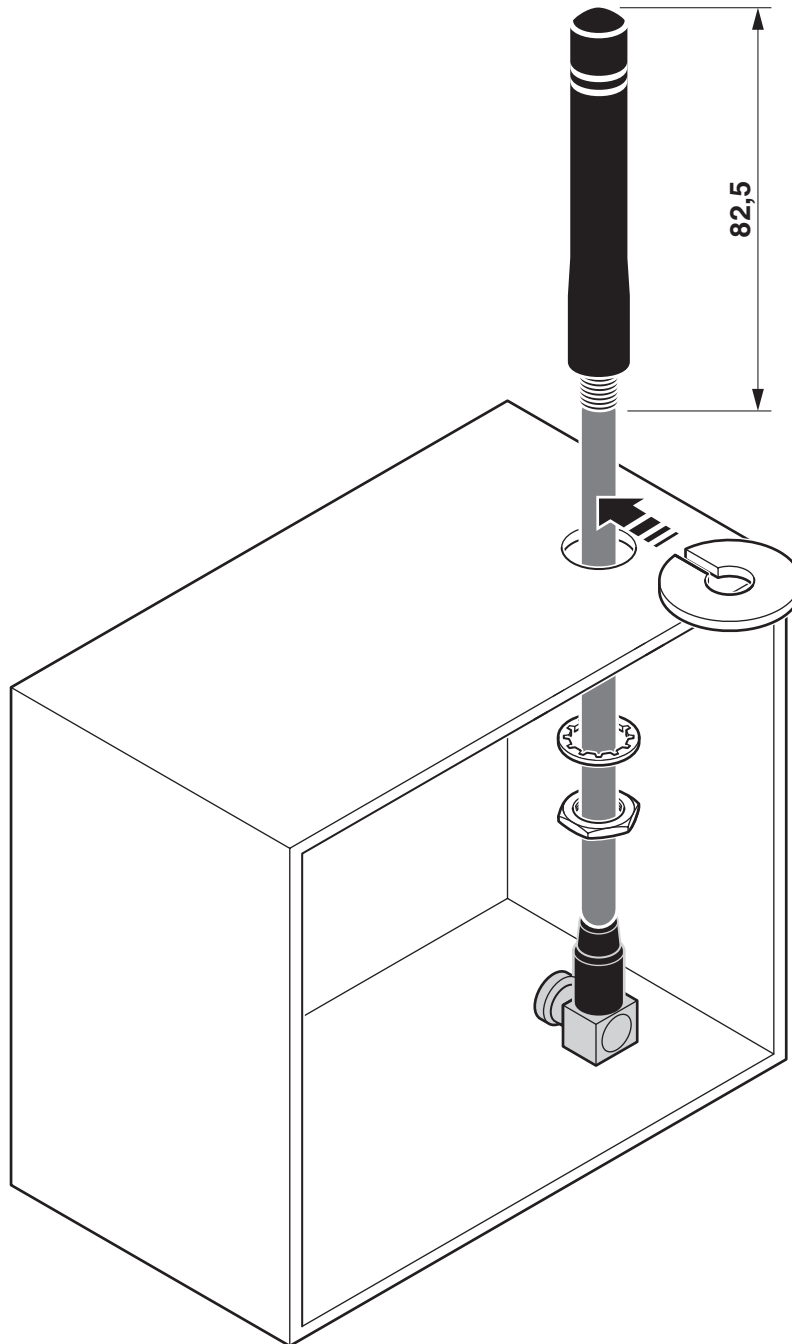
# RAD-ISM-2400-ANT-OMNI-2-1-RSMA - Antenna

2701362

<https://www.phoenixcontact.com/gb/products/2701362>



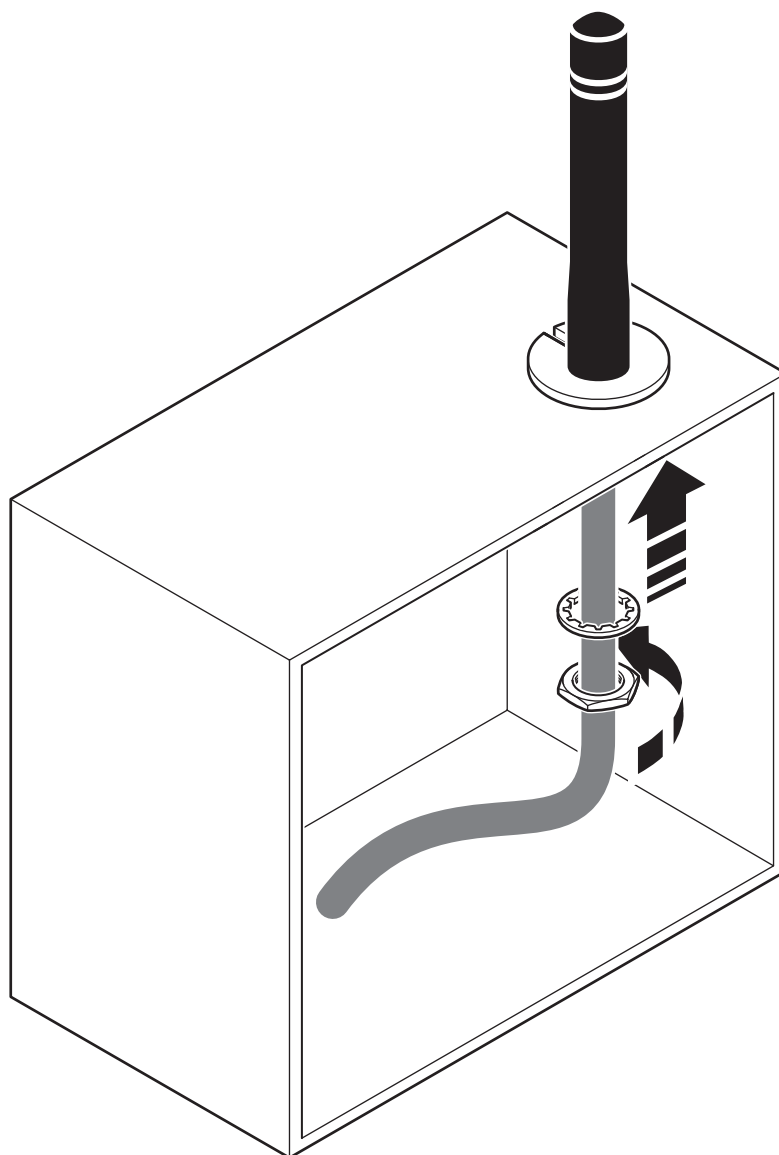
Schematic diagram



Mounting on the control cabinet

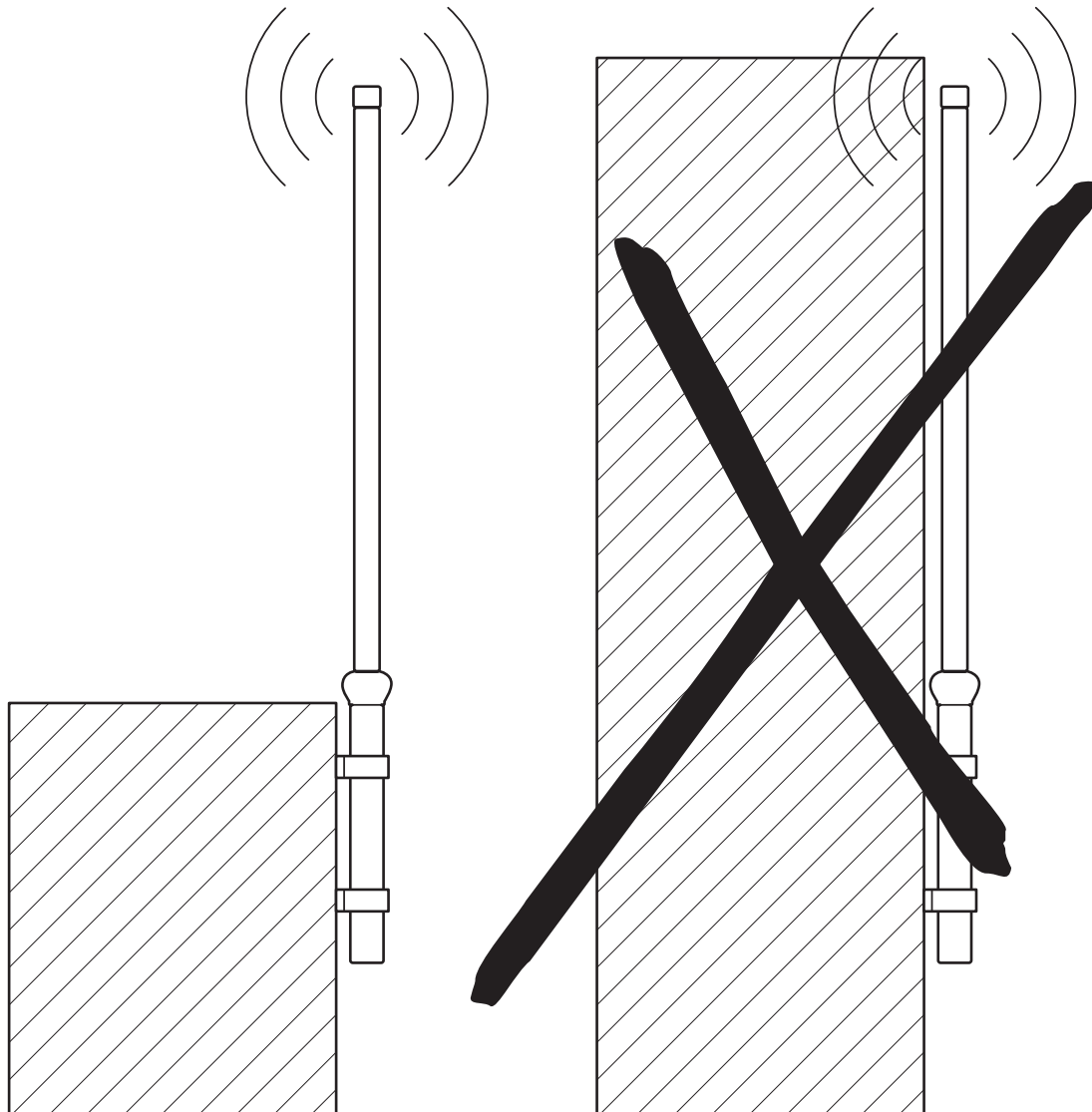


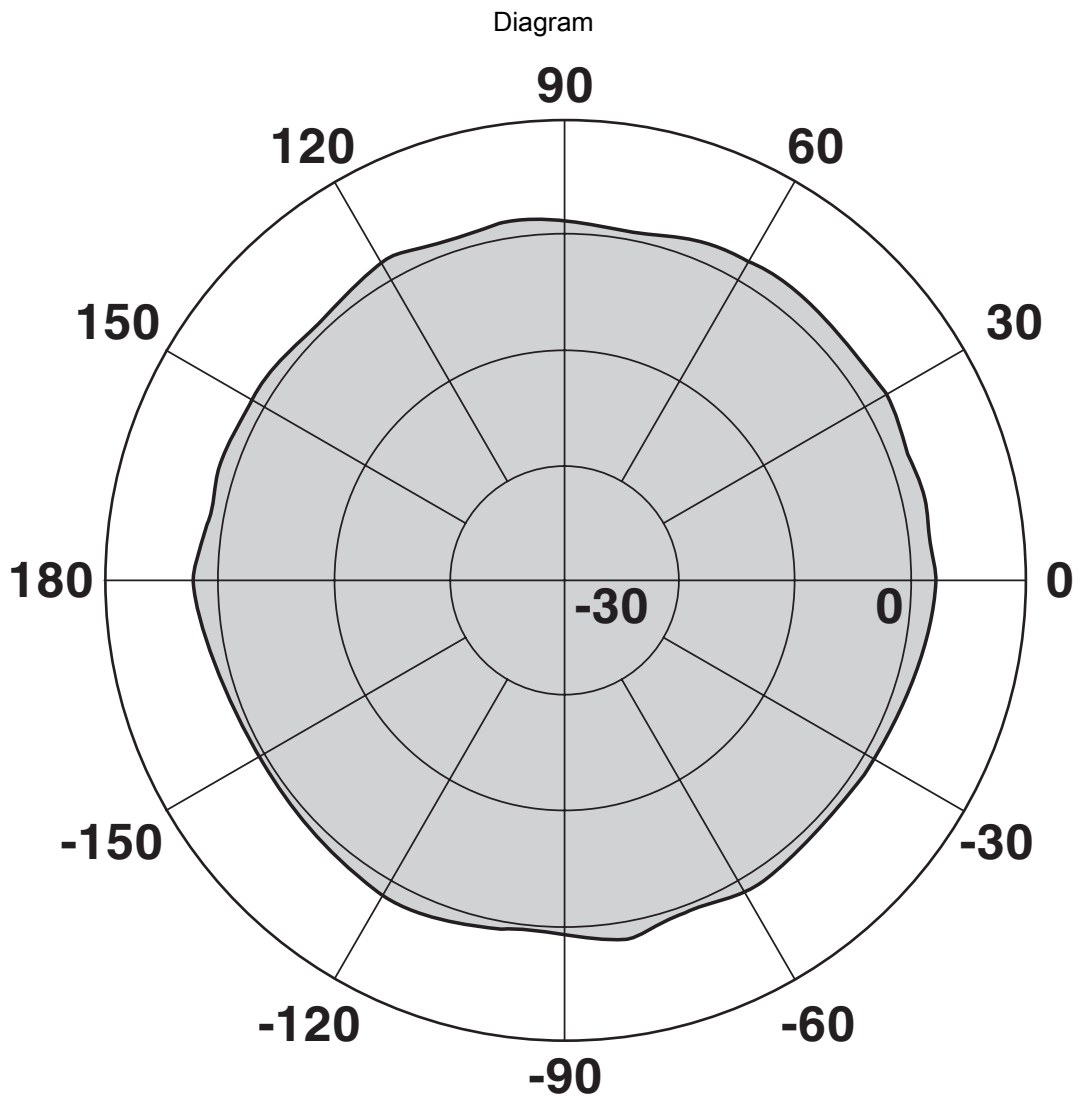
Schematic diagram



Mounting on the control cabinet

Schematic diagram





Horizontal

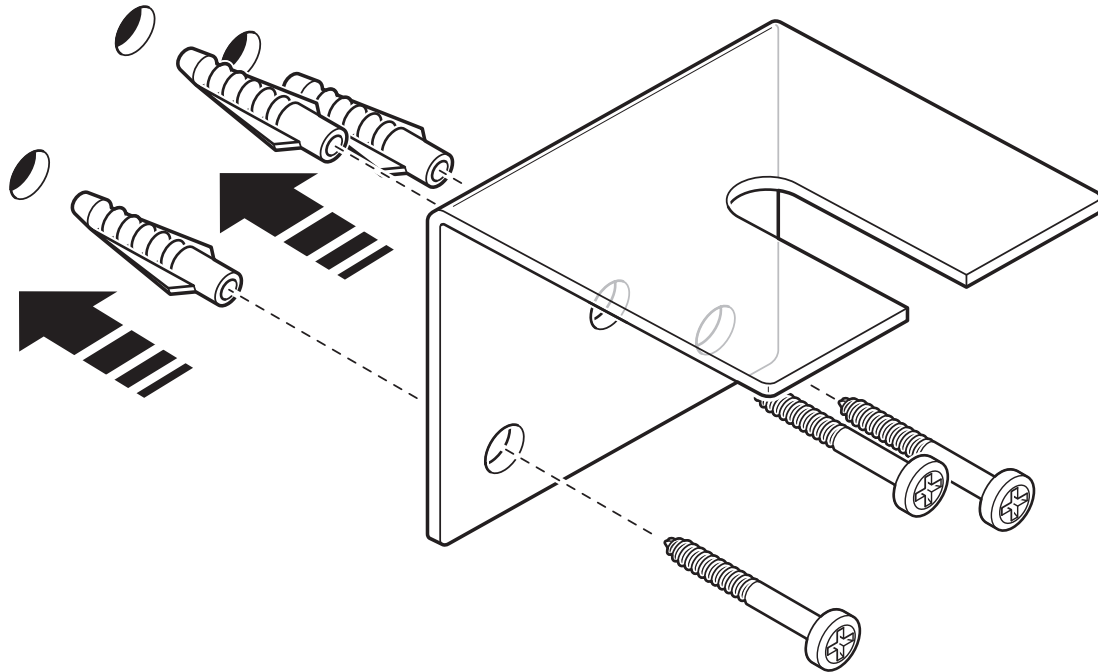
# RAD-ISM-2400-ANT-OMNI-2-1-RSMA - Antenna



2701362

<https://www.phoenixcontact.com/gb/products/2701362>

Schematic diagram



Panel mounting

2701362

<https://www.phoenixcontact.com/gb/products/2701362>

## Classifications

### ECLASS

ECLASS-11.0	19070105
ECLASS-12.0	19070105
ECLASS-13.0	19070105

### ETIM

ETIM 9.0	EC001698
----------	----------

### UNSPSC

UNSPSC 21.0	43223100
-------------	----------

2701362

<https://www.phoenixcontact.com/gb/products/2701362>

## Environmental product compliance

### EU RoHS

Fulfills EU RoHS substance requirements	Yes
Exemption	6(c)

### China RoHS

Environment friendly use period (EFUP)	EFUP-25
	An article-related China RoHS declaration table can be found in the download area for the respective article under "Manufacturer declaration". For all articles with EFUP-E, no China RoHS declaration table issued and required.

### EU REACH SVHC

REACH candidate substance (CAS No.)	Lead(CAS: 7439-92-1)
SCIP	2dd8bac9-1de0-467b-b35e-76e19d7c0951

Phoenix Contact 2025 © - all rights reserved

<https://www.phoenixcontact.com>

PHOENIX CONTACT Ltd  
Halesfield 13, Telford  
Shropshire, TF7 4PG  
01952 681700  
[info@phoenixcontact.co.uk](mailto:info@phoenixcontact.co.uk)