

SCK-M-U-1500V - PV string monitoring module



2903591

<https://www.phoenixcontact.com/de/products/2903591>

Please be informed that the data shown in this PDF document is generated from our online catalog. Please find the complete data in the user documentation. Our general terms of use for downloads are valid.



SCK measuring module for monitoring photovoltaic systems, 1 x voltage measurement up to 1500 V DC, 1 x analog output (2 ... 10 V)

Commercial data

Item number	2903591
Packing unit	1 pc
Minimum order quantity	1 pc
Sales key	CM
Product key	CMMD12
GTIN	4046356752398
Weight per piece (including packing)	184,2 g
Weight per piece (excluding packing)	172,5 g
Customs tariff number	90303370
Country of origin	DE

SCK-M-U-1500V - PV string monitoring module



2903591

<https://www.phoenixcontact.com/de/products/2903591>

Technical data

Product properties

Product type	Voltage transducer
Product family	SOLARCHECK

Insulation characteristics

Pollution degree	2
------------------	---

Electrical properties

Protective circuit	Surge protection; 33 V suppressor diode
--------------------	---

Supply

Nominal supply voltage	24 V DC -10 % ... +25 % (or via SSCK-M-I-8S-20A)
Supply voltage range	21.6 V DC ... 30 V DC
Own current consumption	8 mA (typical)
	65 mA (maximum)

Input data

Measurement

Number of inputs	1
Input voltage range	0 V DC ... 1500 V DC (CAT III)
	0 V DC ... 1000 V DC (UL)
Input resistance of voltage input	2x 20 M Ω
Connection method	Screw connection
Impulse form	DC voltage
Temperature coefficient, typical	< 0.01 %/K
Maximum transmission error	\pm 1 % (after additional tuning (valid for 100 - 1,500 V DC))

Output data

Signal: analog

Voltage output signal	2 V DC ... 10 V DC
Load	10 k Ω
Cable type	Twisted, shielded

Connection data

Connection method	Screw connection
Stripping length	8 mm
Conductor cross-section rigid	0.2 mm ² ... 2.5 mm ²
Conductor cross-section flexible	0.2 mm ² ... 2.5 mm ²
Conductor cross-section AWG	24 ... 12
Tightening torque	0.5 Nm ... 0.6 Nm

Dimensions

SCK-M-U-1500V - PV string monitoring module



2903591

<https://www.phoenixcontact.com/de/products/2903591>

Width	22.5 mm
Height	102 mm
Depth	128.5 mm

Environmental and real-life conditions

Ambient conditions

Degree of protection	IP20
Ambient temperature (operation)	-20 °C ... 70 °C
Ambient temperature (storage/transport)	-40 °C ... 85 °C
Altitude	≤ 2000 m
Permissible humidity (operation)	≤ 95 % (non-condensing)

Approvals

CE

Certificate	CE-compliant
-------------	--------------

UL, USA/Canada

Identification	508 Listed
----------------	------------

UL, USA

Identification	1741 Recognized
----------------	-----------------

EMC data

Electromagnetic compatibility	Conformance with EMC directive
Low Voltage Directive	Conformance with Low Voltage Directive
Noise immunity	EN 61000-6-2
Note	When being exposed to interference, there may be minimal deviations.

Noise emission

Standards/regulations	EN 61000-6-4
-----------------------	--------------

Standards and regulations

Standards/regulations	EN 61010-1
	EN 61010-2-30

Mounting

Mounting type	DIN rail: 35 mm
	DIN rail mounting

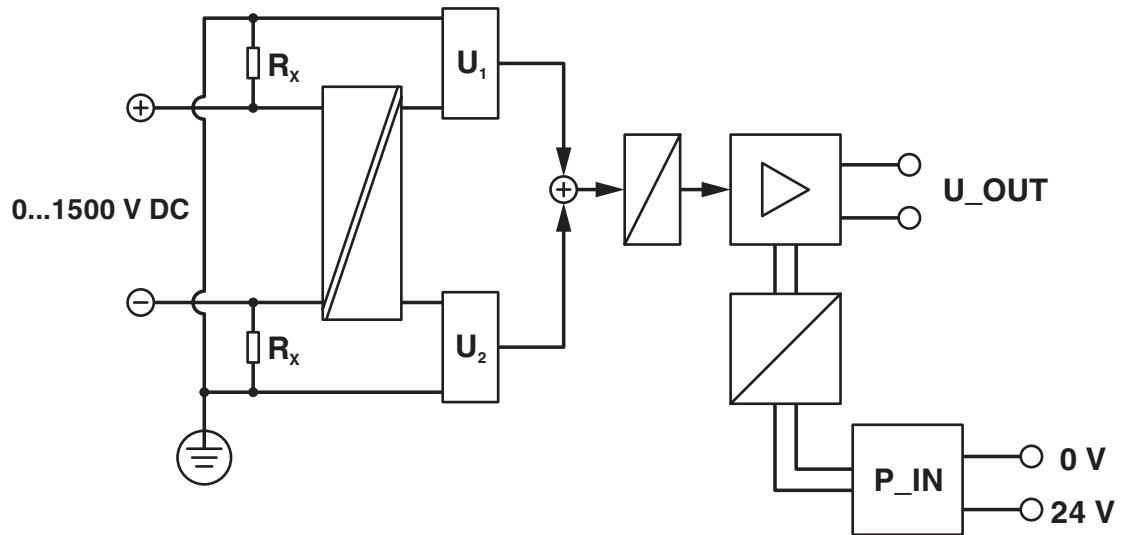
SCK-M-U-1500V - PV string monitoring module

2903591

<https://www.phoenixcontact.com/de/products/2903591>

Drawings

Block diagram



SCK-M-U-1500V - PV string monitoring module



2903591

<https://www.phoenixcontact.com/de/products/2903591>

Approvals

To download certificates, visit the product detail page: <https://www.phoenixcontact.com/de/products/2903591>



UL Recognized

Approval ID: FILE E 325209



EAC

Approval ID: RU*DE.*08.B.01536/19



UL Listed

Approval ID: E140324



cUL Listed

Approval ID: E140324



UL Recognized

Approval ID: FILE E 325209



cUL Listed

Approval ID: E140324



UL Listed

Approval ID: E140324

SCK-M-U-1500V - PV string monitoring module



2903591

<https://www.phoenixcontact.com/de/products/2903591>

Classifications

ECLASS

ECLASS-13.0	27210125
ECLASS-15.0	27210125

ETIM

ETIM 10.0	EC002477
-----------	----------

UNSPSC

UNSPSC 21.0	39121000
-------------	----------

2903591

<https://www.phoenixcontact.com/de/products/2903591>

Environmental product compliance

EU RoHS

Fulfills EU RoHS substance requirements	Yes
Exemption	7(a), 7(c)-I

China RoHS

Environment friendly use period (EFUP)	EFUP-50
	An article-related China RoHS declaration table can be found in the download area for the respective article under "Manufacturer declaration". For all articles with EFUP-E, no China RoHS declaration table issued and required.

EU REACH SVHC

REACH candidate substance (CAS No.)	N,N-dimethylacetamide(CAS: 127-19-5)
	Lead(CAS: 7439-92-1)
	2,2',6,6'-tetrabromo-4,4'-isopropylidenediphenol(CAS: 79-94-7)
SCIP	68c42f43-49d8-452d-b48c-8eb78674784b

Phoenix Contact 2026 © - all rights reserved
<https://www.phoenixcontact.com>

PHOENIX CONTACT Deutschland GmbH
Flachsmarktstraße 8
D-32825 Blomberg
+49 52 35/3-1 20 00
info@phoenixcontact.de