

SCK-M-I-8S-20A - PV string monitoring module



2903241

<https://www.phoenixcontact.com/de/products/2903241>

Please be informed that the data shown in this PDF document is generated from our online catalog. Please find the complete data in the user documentation. Our general terms of use for downloads are valid.



SCK measuring module for monitoring photovoltaic systems, 8 x current measurement up to 20 A, 1 x digital input, interface to SCK communication module, interface to voltage measuring module

Commercial data

Item number	2903241
Packing unit	1 pc
Minimum order quantity	1 pc
Sales key	CM
Product key	CMMD11
GTIN	4046356729703
Weight per piece (including packing)	300 g
Weight per piece (excluding packing)	300 g
Customs tariff number	90303370
Country of origin	DE

SCK-M-I-8S-20A - PV string monitoring module



2903241

<https://www.phoenixcontact.com/de/products/2903241>

Technical data

Product properties

Product type	Current measuring transducer
Product family	SOLARCHECK

Insulation characteristics

Pollution degree	2
------------------	---

Electrical properties

Maximum power dissipation for nominal condition	1.15 W
Protective circuit	Surge protection; 33 V suppressor diode

Supply

Supply voltage range	via the SOLARCHECK communication module
Own current consumption	43 mA (typical)
	50 mA (maximum)

Input data

Signal: digital

Description of the input	Digital input
Available input sources	floating switch contacts
Cable length	≤ 30 m

Signal: analog

Description of the input	Analog input
Voltage input signal	0 V ... 10 V

Measurement

Number of inputs	8
Input current range	0 A DC ... 20 A DC (UL: 0 A DC...25 A DC)
Reverse current detection	-1 A DC ... 0 mA
LSB: Current	20 mA
Overload capacity	5 x I _N
Temperature coefficient, typical	0.02 %/K (T _{K20})
Maximum transmission error	± 1 % (From the measuring range final value)

Connection data

Connection method	Screw connection
Conductor cross-section rigid	0.2 mm ² ... 2.5 mm ²
Conductor cross-section flexible	0.2 mm ² ... 2.5 mm ²
Conductor cross-section AWG	24 ... 12
Tightening torque	0.5 Nm ... 0.6 Nm

Interfaces

SCK-M-I-8S-20A - PV string monitoring module



2903241

<https://www.phoenixcontact.com/de/products/2903241>

Data: Data interface to SCK-C-MODBUS

Transmission length	≤ 300 m (0.14 mm ²)
	≤ 500 m (1.5 mm ²)
Protocols supported	Proprietary

Dimensions

Item dimensions

Width	22.5 mm
Height	102 mm
Depth	128.5 mm

Circular conductor

Diameter	9.5 mm
----------	--------

Environmental and real-life conditions

Ambient conditions

Degree of protection	IP20
Ambient temperature (operation)	-20 °C ... 70 °C
Ambient temperature (storage/transport)	-40 °C ... 85 °C
Altitude	≤ 2000 m
Permissible humidity (operation)	≤ 95 % (non-condensing)

Approvals

CE

Certificate	CE-compliant
-------------	--------------

UL, USA/Canada

Identification	508 Listed
----------------	------------

UL, USA

Identification	1741 Recognized
----------------	-----------------

EMC data

Electromagnetic compatibility	Conformance with EMC directive
Low Voltage Directive	Conformance with Low Voltage Directive
Noise immunity	EN 61000-6-2
Note	When being exposed to interference, there may be minimal deviations.

Noise emission

Standards/regulations	EN 61000-6-4
-----------------------	--------------

Standards and regulations

Standards/regulations	EN 61010-1
	EN 61010-2-30

SCK-M-I-8S-20A - PV string monitoring module



2903241

<https://www.phoenixcontact.com/de/products/2903241>

Mounting

Mounting type	DIN rail: 35 mm
	DIN rail mounting

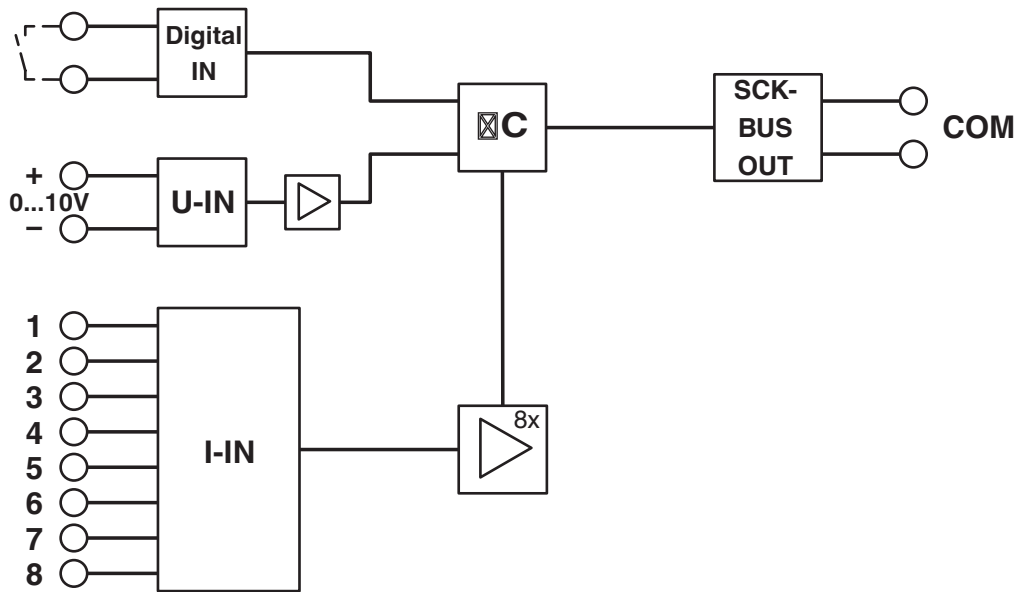
SCK-M-I-8S-20A - PV string monitoring module

2903241

<https://www.phoenixcontact.com/de/products/2903241>

Drawings

Block diagram



SCK-M-I-8S-20A - PV string monitoring module



2903241

<https://www.phoenixcontact.com/de/products/2903241>

Approvals

To download certificates, visit the product detail page: <https://www.phoenixcontact.com/de/products/2903241>



UL Recognized

Approval ID: FILE E 325209



EAC

Approval ID: RU*DE.*08.B.01536/19



UL Listed

Approval ID: E140324



cUL Listed

Approval ID: E140324



UL Recognized

Approval ID: FILE E 325209



cUL Listed

Approval ID: E140324



UL Listed

Approval ID: E140324

SCK-M-I-8S-20A - PV string monitoring module



2903241

<https://www.phoenixcontact.com/de/products/2903241>

Classifications

ECLASS

ECLASS-13.0	27210123
ECLASS-15.0	27210123

ETIM

ETIM 10.0	EC002475
-----------	----------

UNSPSC

UNSPSC 21.0	39121000
-------------	----------

SCK-M-I-8S-20A - PV string monitoring module



2903241

<https://www.phoenixcontact.com/de/products/2903241>

Environmental product compliance

EU RoHS

Fulfills EU RoHS substance requirements	Yes
Exemption	7(a), 7(c)-I

China RoHS

Environment friendly use period (EFUP)	EFUP-50
	An article-related China RoHS declaration table can be found in the download area for the respective article under "Manufacturer declaration". For all articles with EFUP-E, no China RoHS declaration table issued and required.

EU REACH SVHC

REACH candidate substance (CAS No.)	Lead(CAS: 7439-92-1)
SCIP	fb391da0-3fbe-49f0-8eaa-a6224a23c97c

Phoenix Contact 2026 © - all rights reserved

<https://www.phoenixcontact.com>

PHOENIX CONTACT Deutschland GmbH

Flachsmarktstraße 8

D-32825 Blomberg

+49 52 35/3-1 20 00

info@phoenixcontact.de