

MT-RS485 - Surge protection device

2762265

<https://www.phoenixcontact.com/de/products/2762265>

Please be informed that the data shown in this PDF document is generated from our online catalog. Please find the complete data in the user documentation. Our general terms of use for downloads are valid.



Rail-mountable module with surge voltage coarse and fine protection for RS-485 interface, for mounting on NS 35/7.5, housing width: 50 mm

Commercial data

Item number	2762265
Packing unit	5 pc
Minimum order quantity	1 pc
Sales key	CA
Product key	CL3132
GTIN	4017918064945
Weight per piece (including packing)	118,4 g
Weight per piece (excluding packing)	101,952 g
Customs tariff number	85363010
Country of origin	DE

MT-RS485 - Surge protection device

2762265

<https://www.phoenixcontact.com/de/products/2762265>

Technical data

Product properties

Product type	Surge protection for information technology
IEC test classification	C2
	C3
	D1
VDE requirement class	C2
	C3
	D1
Type	DIN rail module, one-piece
Surge protection fault message	none
Wire pairs per module	2

Connection data

Connection method	Screw connection
Screw thread	M3
Tightening torque	0.5 Nm ... 0.6 Nm
Conductor cross-section flexible	0.2 mm ² ... 2.5 mm ²
Conductor cross-section rigid	0.2 mm ² ... 4 mm ²
Conductor cross-section AWG	24 ... 12

Dimensions

Dimensional drawing	
Width	47.6 mm
Height	77.5 mm
Depth	54.9 mm

Material specifications

Color	black (RAL 9005)
-------	------------------

Mechanical properties

Mechanical data

Open side panel	No
-----------------	----

Protective circuit

Direction of action	Line-Line & Line-Signal Ground/Shield & Signal Ground/Shield-Earth Ground
---------------------	---

MT-RS485 - Surge protection device



2762265

<https://www.phoenixcontact.com/de/products/2762265>

Maximum continuous operating voltage U_C	12 V DC
Rated current	450 mA (25 °C)
Operating effective current I_C at U_C	$\leq 10 \mu\text{A}$
Nominal discharge current I_n (8/20) μs (line-line)	10 kA
Nominal discharge current I_n (8/20) μs (line-ground)	10 kA
Pulse discharge current I_{imp} (10/350) μs	500 A
Output voltage limitation at 1 kV/ μs (line-line) spike	$\leq 22 \text{ V}$
Output voltage limitation at 1 kV/ μs (line-earth) spike	$\leq 600 \text{ V}$
Output voltage limitation at 1 kV/ μs (line-line) static	$\leq 22 \text{ V}$
Output voltage limitation at 1 kV/ μs (line-earth) static	$\leq 600 \text{ V}$
Output voltage limitation at 1 kV/ μs (line-signal ground) static	$\leq 22 \text{ V}$
Residual voltage at I_n (conductor-conductor)	$\leq 19 \text{ V}$
Residual voltage at I_n (line-signal ground)	$\leq 19 \text{ V}$
Voltage protection level U_p (line-line)	$\leq 22 \text{ V}$
Voltage protection level U_p (line-earth)	$\leq 600 \text{ V}$
Voltage protection level U_p (line-signal ground)	$\leq 22 \text{ V}$
Response time t_A (line-line)	1 ns
Response time t_A (line-earth)	$\leq 100 \text{ ns}$
Response time t_A (line-signal ground)	$\leq 1 \text{ ns}$
Input attenuation aE, sym.	$\leq 0.1 \text{ dB}$ (up to 10 kHz)
Input attenuation aE, asym.	0.8 dB (up to 0.1 MHz 50 Ω system) 0.1 dB (up to 10 kHz 600 Ω system)
Cut-off frequency f_g (3 dB), asym. (signal ground) in 50 Ω system	1.3 MHz
Cut-off frequency f_g (3 dB), asym. (signal ground) in 600 Ω system	130 kHz
Resistance per path	4.4 Ω
Surge protection fault message	none

Environmental and real-life conditions

Ambient conditions

Degree of protection	IP20
Ambient temperature (operation)	-40 °C ... 60 °C

Standards and regulations

VDE requirement class	C2
	C3
	D1

Standards Information technology specification

Standards/regulations	IEC 61643-21 IEC 61643-21
-----------------------	------------------------------

Mounting

Mounting type	DIN rail: 35 mm
---------------	-----------------

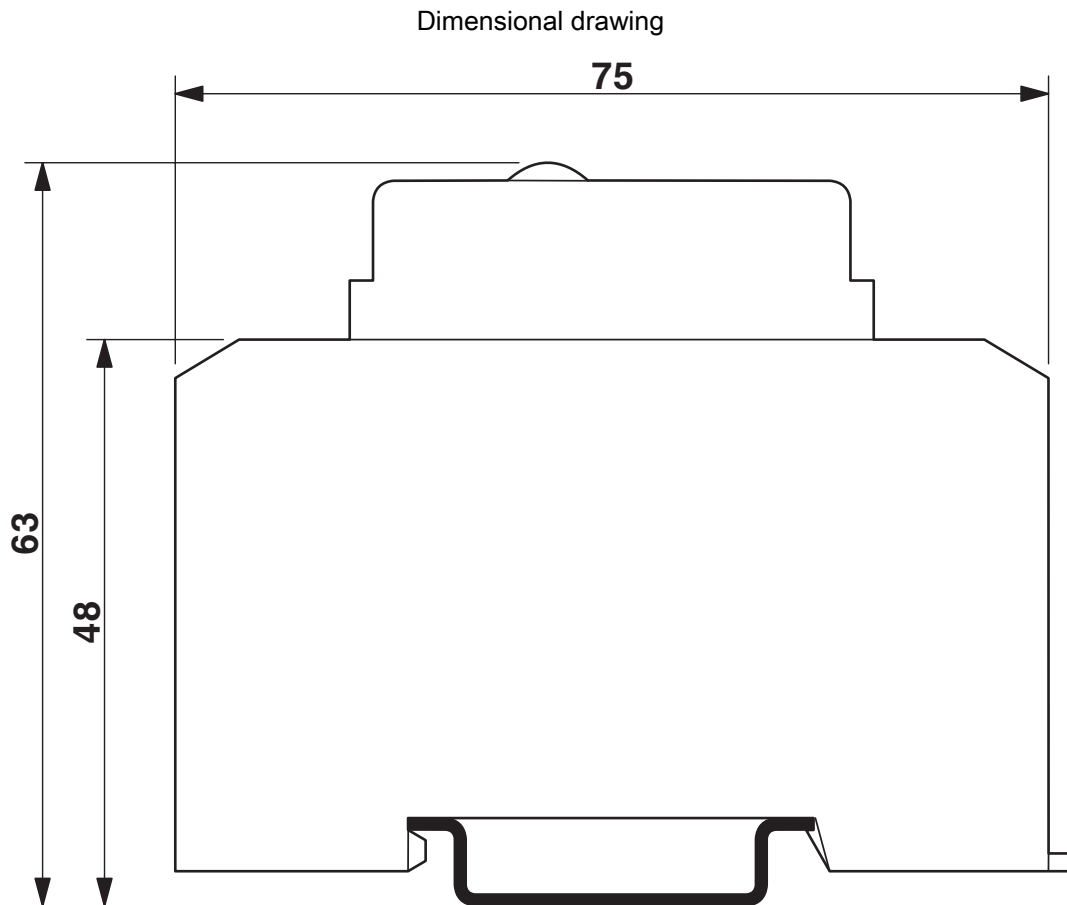
MT-RS485 - Surge protection device

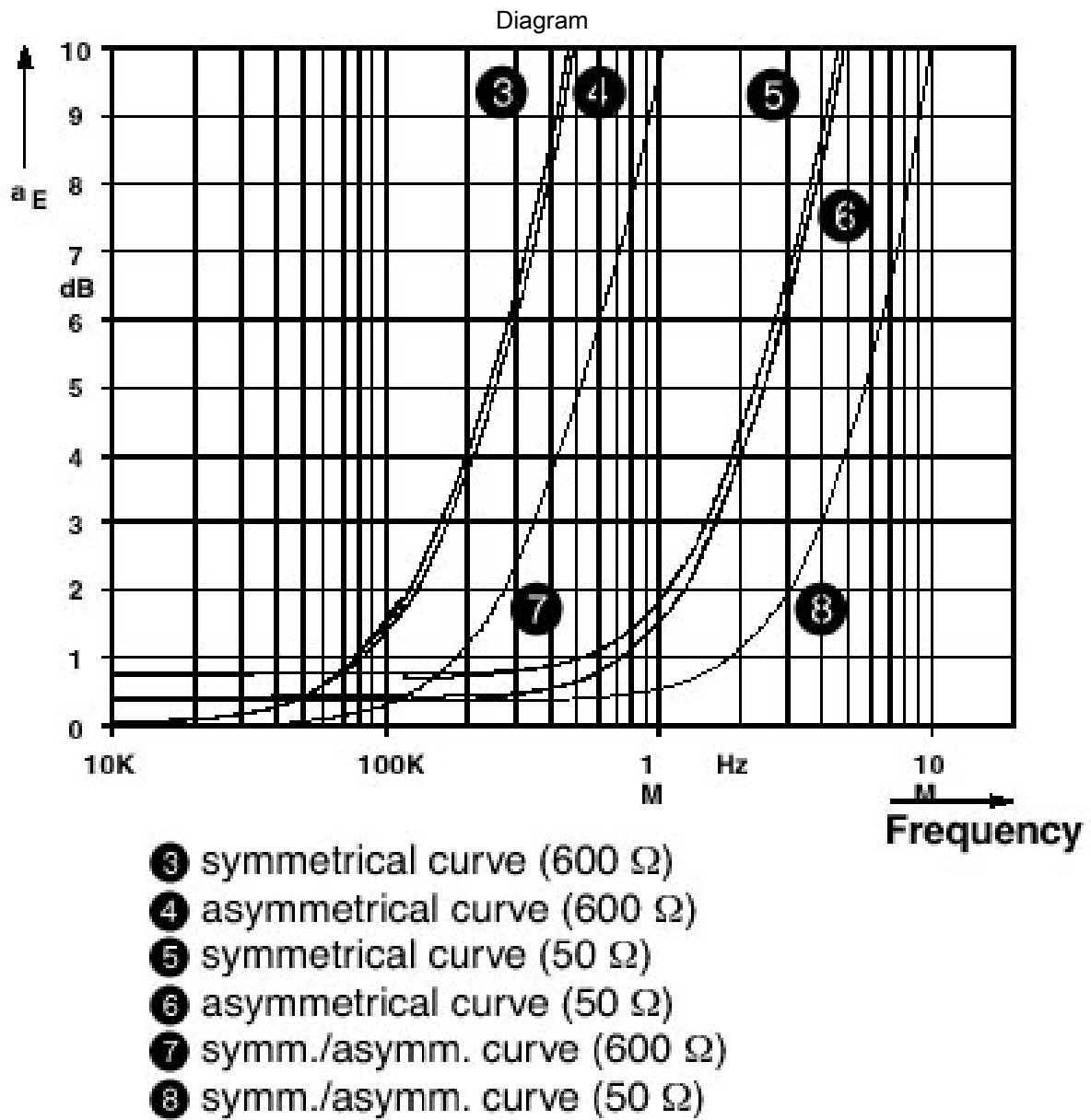
2762265

<https://www.phoenixcontact.com/de/products/2762265>



Drawings





Characteristic attenuation curve

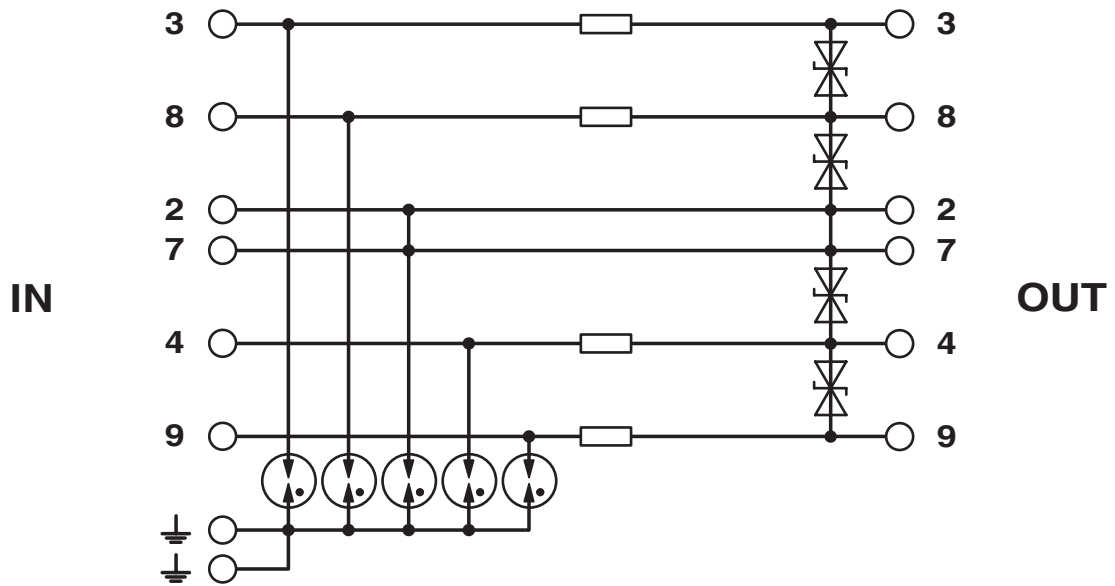
MT-RS485 - Surge protection device

2762265

<https://www.phoenixcontact.com/de/products/2762265>



Circuit diagram



MT-RS485 - Surge protection device



2762265

<https://www.phoenixcontact.com/de/products/2762265>

Classifications

ECLASS

ECLASS-13.0	27171503
ECLASS-15.0	27171503

ETIM

ETIM 10.0	EC001466
-----------	----------

UNSPSC

UNSPSC 21.0	39121600
-------------	----------

MT-RS485 - Surge protection device



2762265

<https://www.phoenixcontact.com/de/products/2762265>

Environmental product compliance

EU RoHS

Fulfills EU RoHS substance requirements	Yes
Exemption	7(a), 7(c)-I

China RoHS

Environment friendly use period (EFUP)	EFUP-50
	An article-related China RoHS declaration table can be found in the download area for the respective article under "Manufacturer declaration". For all articles with EFUP-E, no China RoHS declaration table issued and required.

EU REACH SVHC

REACH candidate substance (CAS No.)	Lead(CAS: 7439-92-1)
SCIP	85049ad2-148c-4308-ae4a-45cffc2da000

Phoenix Contact 2026 © - all rights reserved

<https://www.phoenixcontact.com>

PHOENIX CONTACT Deutschland GmbH

Flachsmarktstraße 8

D-32825 Blomberg

+49 52 35/3-1 20 00

info@phoenixcontact.de