

EO-AB/UT/LED/DUO/N/GFI/20 - Double socket



1263627

<https://www.phoenixcontact.com/de/products/1263627>

Please be informed that the data shown in this PDF document is generated from our online catalog. Please find the complete data in the user documentation. Our general terms of use for downloads are valid.



Double socket, in vertical arrangement, integrated residual current operated circuit breaker (GFCI Class A), Pin connector pattern type AB 20A, connection method: Screw connection, color: gray, nom. voltage: 125 V AC (60 Hz), nominal current: 20 A, DIN rail or direct mounting, standards/specifications: UL 508A, Country marking: USA

Commercial data

Item number	1263627
Packing unit	1 pc
Minimum order quantity	1 pc
Sales key	BF
Product key	BE7613
GTIN	4063151375379
Weight per piece (including packing)	286,3 g
Weight per piece (excluding packing)	286,3 g
Customs tariff number	85366990
Country of origin	PL

1263627

<https://www.phoenixcontact.com/de/products/1263627>

Technical data

Notes

General

Note	The nominal current does not apply for fuse versions. In this case, the current is determined by the fuse.
------	------------------------------------------------------------------------------------------------------------

Product properties

Product type	Socket
Country ID	USA
Response time	25 ms (6 mA)

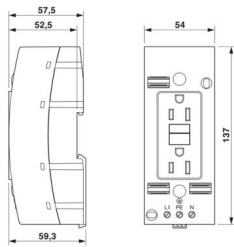
Connection data

Connection method	Screw connection
Screw thread	M3
Tightening torque	0.5 ... 0.6 Nm
Stripping length	8 mm
Internal cylindrical gage	A3
	B3
Conductor cross-section rigid	0.2 mm ² ... 4 mm ²
Cross section AWG	24 ... 12 (converted acc. to IEC)
Conductor cross-section flexible	0.25 mm ² ... 2.5 mm ²
Conductor cross-section, flexible [AWG]	24 ... 14 (converted acc. to IEC)
Conductor cross-section flexible (ferrule without plastic sleeve)	0.25 mm ² ... 2.5 mm ²
Flexible conductor cross-section (ferrule with plastic sleeve)	0.25 mm ² ... 2.5 mm ²
Conductor cross-section flexible (2 conductors with the same cross-section, with TWIN ferrule and plastic sleeve)	0.2 mm ² ... 4 mm ²
Nominal current	20 A
Nominal voltage	125 V AC 60 Hz
Tolerance	-18% ... +5%

Signaling

Status display	yes
----------------	-----

Dimensions

Dimensional drawing	
Width	54 mm

1263627

<https://www.phoenixcontact.com/de/products/1263627>

Height	137 mm
Depth	62.3 mm
Depth on NS 35/7,5	63 mm
Depth on NS 35/15	70.5 mm
Hole diameter	4.4 mm

Material specifications

Color	gray (RAL 7042)
Flammability rating according to UL 94	V2
Insulating material	PA
Contact material	CuZn38
Static insulating material application in cold	-60 °C
Temperature index of insulation material (DIN EN 60216-1 (VDE 0304-21))	130 °C
Relative insulation material temperature index (Elec., UL 746 B)	130 °C
Fire protection for rail vehicles (DIN EN 45545-2) R22	HL 1 - HL 3
Fire protection for rail vehicles (DIN EN 45545-2) R23	HL 1 - HL 3
Fire protection for rail vehicles (DIN EN 45545-2) R24	HL 1 - HL 3
Fire protection for rail vehicles (DIN EN 45545-2) R26	HL 1 - HL 3
Surface flammability NFPA 130 (ASTM E 162)	passed
Specific optical density of smoke NFPA 130 (ASTM E 662)	passed
Smoke gas toxicity NFPA 130 (SMP 800C)	passed

Connector

Type of plug	Pin connector pattern type AB 20A
--------------	-----------------------------------

Environmental and real-life conditions

Oscillation/broadband noise

Specification	DIN EN 50155 (VDE 0115-200):2022-06
Spectrum	Long life test category 2, bogie-mounted
Frequency	$f_1 = 5 \text{ Hz}$ to $f_2 = 250 \text{ Hz}$
ASD level	$6.12 \text{ (m/s}^2\text{)}^2\text{/Hz}$
Acceleration	3.12g
Test duration per axis	5 h
Test directions	X-, Y- and Z-axis
Result	Test passed

Shocks

Specification	DIN EN 50155 (VDE 0115-200):2022-06
Pulse shape	Half-sine
Acceleration	30g
Shock duration	18 ms
Number of shocks per direction	3
Test directions	X-, Y- and Z-axis (pos. and neg.)

EO-AB/UT/LED/DUO/V/GFI/20 - Double socket



1263627

<https://www.phoenixcontact.com/de/products/1263627>

Result	Test passed
Ambient conditions	
Degree of protection	IP20
Ambient temperature (operation)	-35 °C ... 66 °C (according to IEC 60884-1, average value over a period of 24 hours not above +35°C)
Resistance against air humidity	95 % ... 48 h

Standards and regulations

Standards

Standards/regulations	UL 508A
-----------------------	---------

Mounting

Mounting type	DIN rail or direct mounting
---------------	-----------------------------

EO-AB/UT/LED/DUO/V/GFI/20 - Double socket

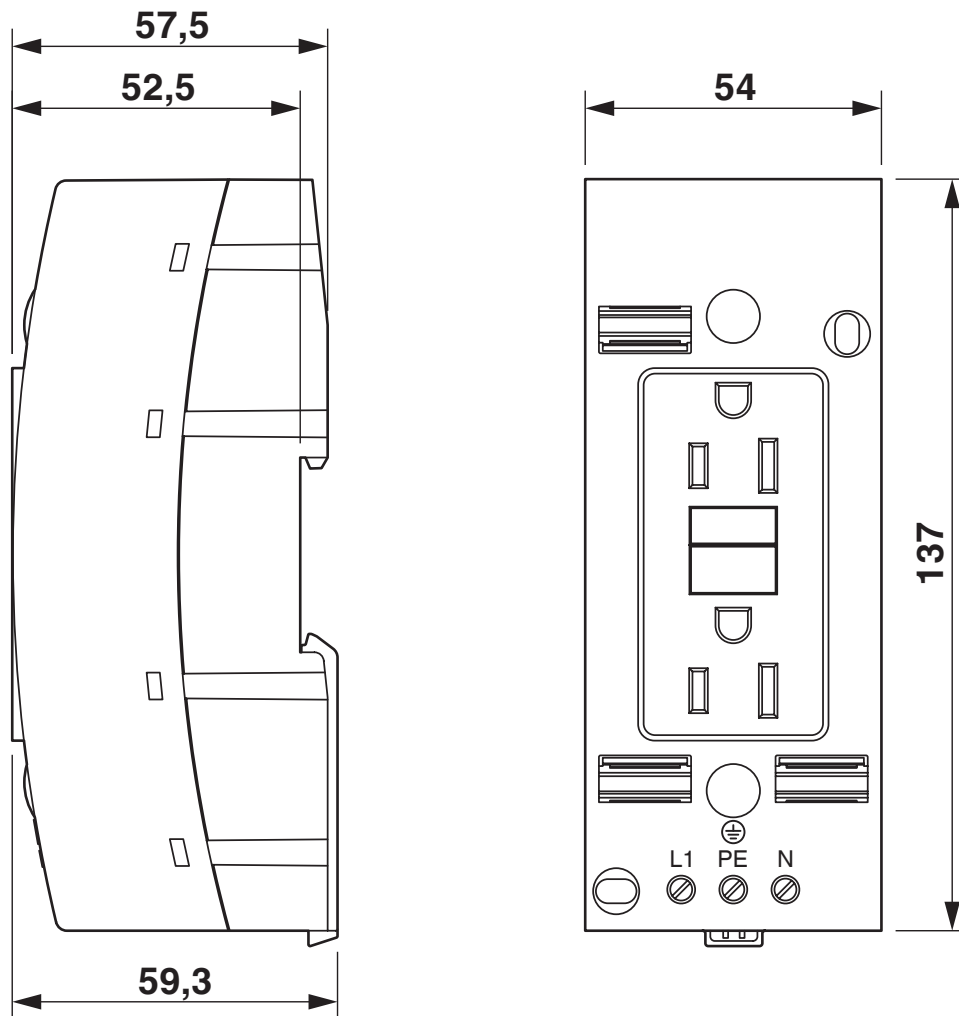


1263627

<https://www.phoenixcontact.com/de/products/1263627>

Drawings

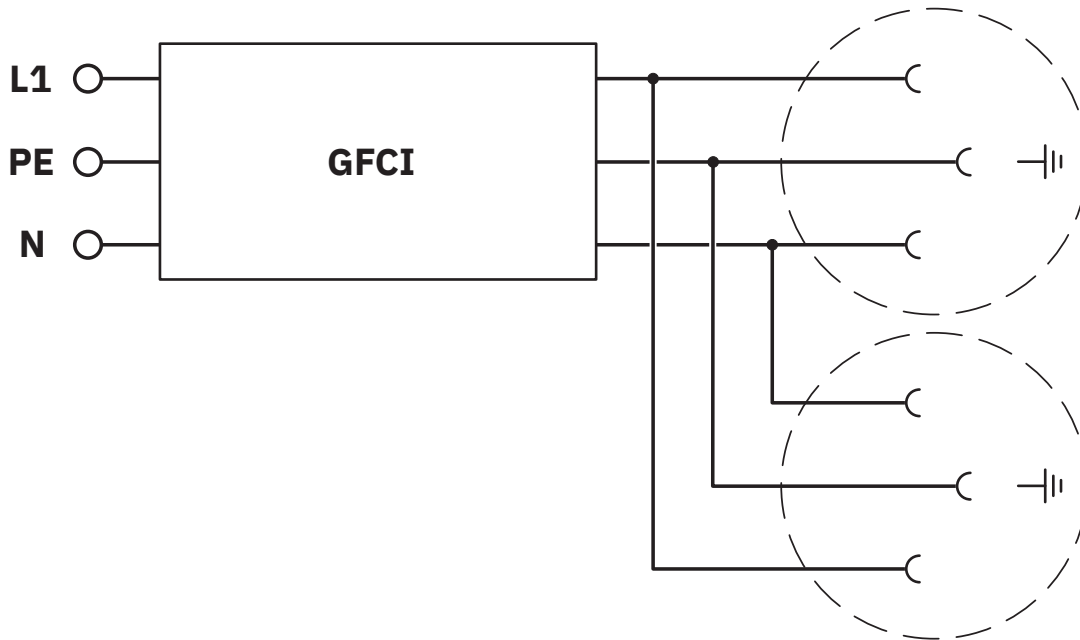
Dimensional drawing



1263627

<https://www.phoenixcontact.com/de/products/1263627>

Circuit diagram



EO-AB/UT/LED/DUO/V/GFI/20 - Double socket





1263627

<https://www.phoenixcontact.com/de/products/1263627>

Approvals

To download certificates, visit the product detail page: <https://www.phoenixcontact.com/de/products/1263627>

 cULus Recognized Approval ID: E255026				
	Nominal voltage U_N	Nominal current I_N	Cross section AWG	Cross section mm^2
keine				
	125 V	20 A	24 - 12	-

 CSA Approval ID: 13631				
	Nominal voltage U_N	Nominal current I_N	Cross section AWG	Cross section mm^2
keine				
	120 V	20 A	24 - 12	-

 EAC Approval ID: KZ7500651131219505				
-----------------------------------------------------------------------------------------------------------------------------------	--	--	--	--

1263627

<https://www.phoenixcontact.com/de/products/1263627>

Classifications

ECLASS

ECLASS-13.0	27142305
ECLASS-15.0	27142305

ETIM

ETIM 10.0	EC001663
-----------	----------

UNSPSC

UNSPSC 21.0	39121406
-------------	----------

1263627

<https://www.phoenixcontact.com/de/products/1263627>

Environmental product compliance

EU RoHS

Fulfills EU RoHS substance requirements	Yes
Exemption	6(a), 7(a), 7(c)-I

China RoHS

Environment friendly use period (EFUP)	EFUP-25
	An article-related China RoHS declaration table can be found in the download area for the respective article under "Manufacturer declaration". For all articles with EFUP-E, no China RoHS declaration table issued and required.

EU REACH SVHC

REACH candidate substance (CAS No.)	Lead(CAS: 7439-92-1)
SCIP	85d373d5-cced-4a5f-9a51-dfcce449d4e0

EF3.1 Climate Change

CO2e kg	5,218 kg CO2e
---------	---------------

Phoenix Contact 2026 © - all rights reserved
<https://www.phoenixcontact.com>

PHOENIX CONTACT Deutschland GmbH
 Flachmarktstraße 8
 D-32825 Blomberg
 +49 52 35/3-1 20 00
info@phoenixcontact.de