

# NS 35/ 7,5 PERF 2000MM - DIN rail perforated



0801733

<https://www.phoenixcontact.com/de/products/0801733>

Please be informed that the data shown in this PDF document is generated from our online catalog. Please find the complete data in the user documentation. Our general terms of use for downloads are valid.



DIN rail perforated, Pack of 25 (50 m), acc. to EN 60715, material: Steel, galvanized, passivated with a thick layer, Standard profile, color: silver

## Commercial data

|                                      |               |
|--------------------------------------|---------------|
| Item number                          | 0801733       |
| Packing unit                         | 25 pc         |
| Minimum order quantity               | 25 pc         |
| Sales key                            | BF            |
| Product key                          | BE7244        |
| GTIN                                 | 4017918006686 |
| Weight per piece (including packing) | 660 g         |
| Weight per piece (excluding packing) | 660 g         |
| Customs tariff number                | 72166190      |
| Country of origin                    | DE            |

# NS 35/ 7,5 PERF 2000MM - DIN rail perforated

0801733

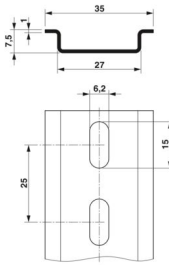
<https://www.phoenixcontact.com/de/products/0801733>

## Technical data

### Product properties

|              |          |
|--------------|----------|
| Product type | DIN rail |
|--------------|----------|

### Dimensions

|                     |  |
|---------------------|--|
| Dimensional drawing |  |
| Width               | 35 mm  |
| Hole width          | 15 mm  |
| Hole height         | 6.2 mm   |
| Depth               | 7.5 mm   |
| Length              | 2000 mm  |
| Drill hole spacing  | 25 mm  |
| Hole diameter       | 6.2 mm ... 15 mm   |

### Material specifications

|          |   |
|----------|---|
| Color    | silver-colored                            |
| Material | Steel                                     |
| Coating  | galvanized, passivated with a thick layer |

### Standards and regulations

|                                  |                  |
|----------------------------------|------------------|
| Connection in acc. with standard | IEC / EN         |
| Tests                            | acc. to EN 60715 |

### Electrical tests

|                                  |                    |
|----------------------------------|--------------------|
| Short-time withstand current     |                    |
| Equivalent E-Cu cross-section    | 16 mm <sup>2</sup> |
| Short-time current resistance 1s | 1.92 kA            |

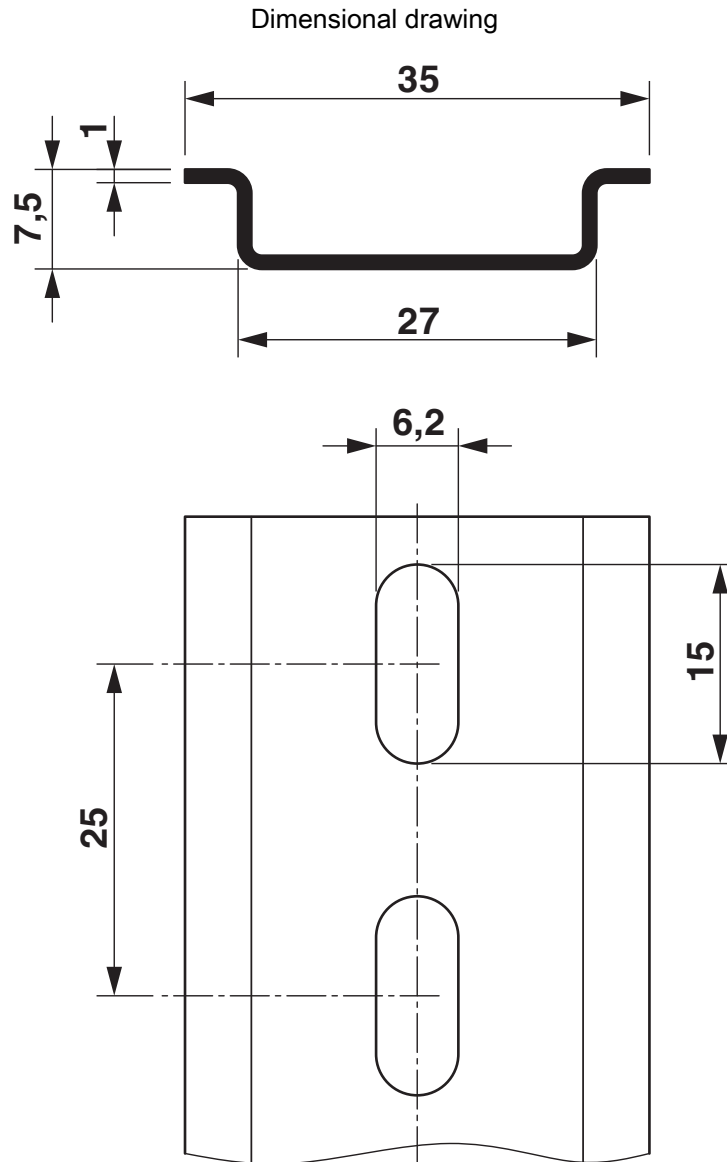
# NS 35/ 7,5 PERF 2000MM - DIN rail perforated

0801733

<https://www.phoenixcontact.com/de/products/0801733>



## Drawings



# NS 35/ 7,5 PERF 2000MM - DIN rail perforated



0801733

<https://www.phoenixcontact.com/de/products/0801733>

## Classifications

### ECLASS

|             |          |
|-------------|----------|
| ECLASS-13.0 | 27400602 |
| ECLASS-15.0 | 27400602 |

### ETIM

|           |          |
|-----------|----------|
| ETIM 10.0 | EC001285 |
|-----------|----------|

### UNSPSC

|             |          |
|-------------|----------|
| UNSPSC 21.0 | 39121700 |
|-------------|----------|

# NS 35/ 7,5 PERF 2000MM - DIN rail perforated



0801733

<https://www.phoenixcontact.com/de/products/0801733>

## Environmental product compliance

### EU RoHS

|   |                    |
|---|--------------------|
| Fulfills EU RoHS substance requirements | Yes, No exemptions |
|---|--------------------|

### China RoHS

|  |  |
|--|--|
| Environment friendly use period (EFUP) | EFUP-E                                   |
|  | No hazardous substances above the limits |

### EU REACH SVHC

|                                     |                            |
|-------------------------------------|----------------------------|
| REACH candidate substance (CAS No.) | No substance above 0.1 wt% |
|-------------------------------------|----------------------------|

### EF3.1 Climate Change

|         |               |
|---------|---------------|
| CO2e kg | 1,388 kg CO2e |
|---------|---------------|

Phoenix Contact 2026 © - all rights reserved  
<https://www.phoenixcontact.com>

PHOENIX CONTACT Deutschland GmbH  
Flachmarktstraße 8  
D-32825 Blomberg  
+49 52 35/3-1 20 00  
[info@phoenixcontact.de](mailto:info@phoenixcontact.de)