

PV-C1F-S 2,5-6 (+) - Connector



1789821

<https://www.phoenixcontact.com/us/products/1789821>

Please be informed that the data shown in this PDF document is generated from our online catalog. Please find the complete data in the user documentation. Our general terms of use for downloads are valid.



Connector, Range of articles: SUNCLIX, housing material: PPE, color: black, number of positions: 1, min. conductor cross-section: 2.5 mm², max. conductor cross-section: 6 mm², rated current: 27 A, Connection method: Spring-cage

Commercial data

Item number	1789821
Packing unit	1 pc
Note	Made to order (non-returnable)
Sales key	AB02
Product key	ABLBBA
GTIN	4046356626828
Weight per piece (including packing)	16.34 g
Weight per piece (excluding packing)	16.34 g
Customs tariff number	85359000
Country of origin	DE

PV-C1F-S 2,5-6 (+) - Connector

1789821

<https://www.phoenixcontact.com/us/products/1789821>

Technical data

Product properties

Product type	Photovoltaic connectors
Product family	SUNCLIX
Number of positions	1
Pitch	2.5 mm

Insulation characteristics

Protection class	II
Degree of pollution	3

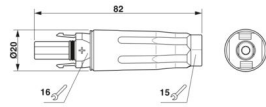
Electrical properties

Rated voltage (III/2)	1500 V
Rated surge voltage (III/3)	16 kV
Rated current (2.5 mm ²)	27 A
Rated current (4.0 mm ²)	40 A
Rated current	40 A
Contact resistance	0.45 mΩ
Contact resistance	≤ 0.45 mΩ (when plugged in (without cable))

Connection data

Connection method	Spring-cage
Stripping length	15 mm

Dimensions

Dimensional drawing	
Width	20 mm
Height	20 mm
Length	60 mm
Pitch	2.5 mm

Material specifications

Color	black
Color of the housing part	black
Flammability rating according to UL 94	V0
Insulating material group	CTI 600
Insulating material	mPPE
Contact surface	Tin Sn
Housing material	PPE

PV-C1F-S 2,5-6 (+) - Connector



1789821

<https://www.phoenixcontact.com/us/products/1789821>

Cable seal material	EPDM
Contact material	Cu
Contact surface material	Ag
Contact carrier material	PA 6.6 V0
O-ring material	Elastosil LR 3065/50
Material for screw connection	PPE

Cable/line

Cable type	PV1-F cables
External cable diameter	5 mm ... 8 mm
Single wire, cross section	2.5 mm ² 6 mm ²
Stripping length of the individual wire	15 mm
Cable pull-out force	> 330 N
Halogen-free	yes

Mechanical properties

Outside conductor diameter	8.00 mm 5.00 mm
----------------------------	-----------------

Mechanical data

Outside conductor diameter	8.00 mm 5.00 mm
Insertion/withdrawal cycles	100
Insertion force	45 N ±10 N
Withdrawal force	250 N ±50 N (when locked)

Environmental and real-life conditions

Ambient conditions

Degree of protection (when plugged in)	IP66/IP68 (2 m / 24 h)
Degree of protection	IP66/IP68 (2 m / 24 h)
	IP66/IP68 (2 m / 24 h)
Ambient temperature (operation) (male connector/female connector)	-40 °C ... 85 °C
Ambient temperature (assembly)	-25 °C ... 50 °C

PV-C1F-S 2,5-6 (+) - Connector

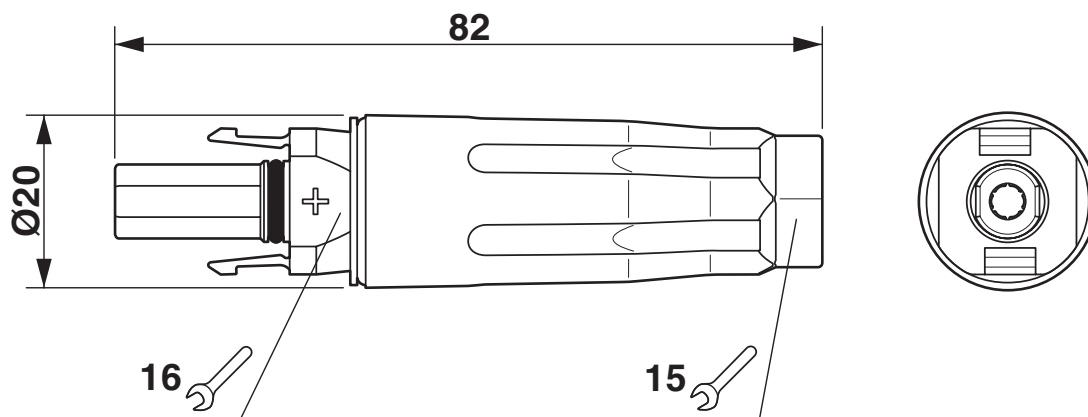
1789821

<https://www.phoenixcontact.com/us/products/1789821>



Drawings

Dimensional drawing



PV-C1F-S 2,5-6 (+) - Connector



1789821

<https://www.phoenixcontact.com/us/products/1789821>

Classifications

ECLASS

ECLASS-13.0	27440107
ECLASS-15.0	27440107

ETIM

ETIM 9.0	EC002635
----------	----------

PV-C1F-S 2,5-6 (+) - Connector



1789821

<https://www.phoenixcontact.com/us/products/1789821>

Environmental product compliance

EU RoHS

Fulfills EU RoHS substance requirements	Yes, No exemptions
---	--------------------

China RoHS

Environment friendly use period (EFUP)	EFUP-E
	No hazardous substances above the limits

EU REACH SVHC

REACH candidate substance (CAS No.)	No substance above 0.1 wt%
-------------------------------------	----------------------------

Phoenix Contact 2026 © - all rights reserved
<https://www.phoenixcontact.com>

Phoenix Contact USA
586 Fulling Mill Road
Middletown, PA 17057, United States
(+717) 944-1300
info@phoenixcon.com