

HC-D 50-TFQ-76/M1PG29G - Housing



1775813

<https://www.phoenixcontact.com/us/products/1775813>

Please be informed that the data shown in this PDF document is generated from our online catalog. Please find the complete data in the user documentation. Our general terms of use for downloads are valid.



Sleeve housing, for double locking latch, height 76 mm, with screw connection, 1x Pg29, straight cable entry

Commercial data

Item number	1775813
Packing unit	1 pc
Note	Made to order (non-returnable)
Sales key	BF55
Product key	AF7AAE
GTIN	4017918038366
Weight per piece (including packing)	341.56 g
Weight per piece (excluding packing)	341.56 g
Customs tariff number	85389099
Country of origin	DE

HC-D 50-TFQ-76/M1PG29G - Housing

1775813

<https://www.phoenixcontact.com/us/products/1775813>

Technical data

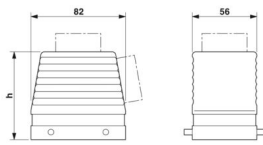
Notes

General	For contact inserts HC-D25, A16/A32
---------	-------------------------------------

Product properties

Product type	Housing with locking latch
Housing type	Sleeve housing
Application	Standard
Type	D50
No. of cable outlets	1
Type of the screw connection	1x Pg29
Shielded	no
Cable outlet	straight
Pg screw connection	with

Dimensions

Dimensional drawing	
Width	56 mm
Height	76 mm
Length	82 mm
Wrench size, union nut	37 mm

Material specifications

Material Screw connection	Brass, nickel-plated
Seal material Cable seal	NBR
Housing material	Die-cast aluminum
Housing surface material	Powder-coated, gray

Mechanical properties

Mechanical data

Type of the screw connection	1x Pg29
Locking type	Pin

Cable/line

External cable diameter Cable 1	18 mm ... 27 mm
---------------------------------	-----------------

Connection data

External cable diameter	18 mm ... 27 mm
-------------------------	-----------------

HC-D 50-TFQ-76/M1PG29G - Housing



1775813

<https://www.phoenixcontact.com/us/products/1775813>

Environmental and real-life conditions

Ambient conditions

Degree of protection	IP65
Ambient temperature (operation)	-40 °C ... 125 °C

HC-D 50-TFQ-76/M1PG29G - Housing

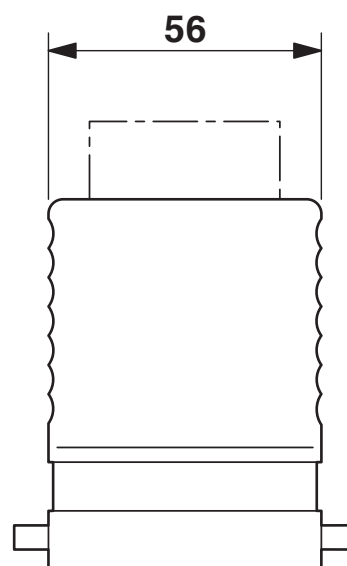
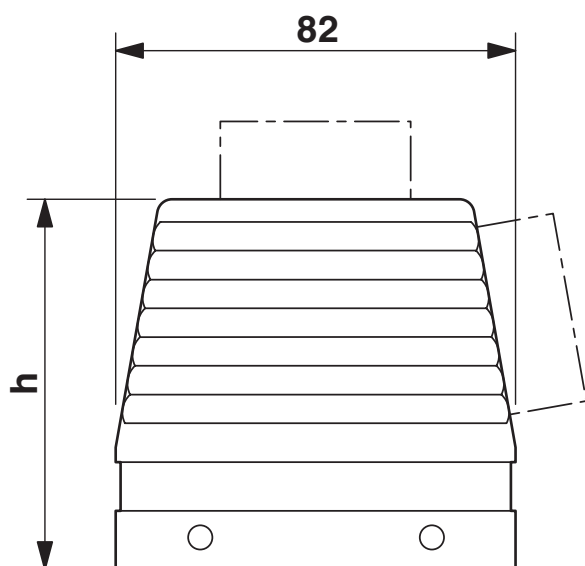
1775813

<https://www.phoenixcontact.com/us/products/1775813>



Drawings

Dimensional drawing



Dimensional drawing

HC-D 50-TFQ-76/M1PG29G - Housing



1775813

<https://www.phoenixcontact.com/us/products/1775813>

Classifications

ECLASS

ECLASS-13.0	27440202
ECLASS-15.0	27440202

HC-D 50-TFQ-76/M1PG29G - Housing



1775813

<https://www.phoenixcontact.com/us/products/1775813>

Environmental product compliance

EU RoHS

Fulfills EU RoHS substance requirements	Yes, No exemptions
---	--------------------

China RoHS

Environment friendly use period (EFUP)	EFUP-E
	No hazardous substances above the limits

EU REACH SVHC

REACH candidate substance (CAS No.)	No substance above 0.1 wt%
-------------------------------------	----------------------------

Phoenix Contact 2026 © - all rights reserved
<https://www.phoenixcontact.com>

Phoenix Contact USA
586 Fulling Mill Road
Middletown, PA 17057, United States
(+717) 944-1300
info@phoenixcon.com