

# CK4,0-ED-6,00ST AG - Crimp contact



1663268

<https://www.phoenixcontact.com/us/products/1663268>

Please be informed that the data shown in this PDF document is generated from our online catalog. Please find the complete data in the user documentation. Our general terms of use for downloads are valid.



Crimp contact, series: HC-M-03, Pin, turned, contact diameter: 4 mm, rated current: 40 A, connection cross section: 6 mm<sup>2</sup> ... 6 mm<sup>2</sup>, AWG 10...10, contact material: Cu alloy

## Commercial data

Item number	1663268
Packing unit	25 pc
Minimum order quantity	25 pc
Sales key	BF65
Product key	AF7AIE
GTIN	4017918123079
Weight per piece (including packing)	3.104 g
Weight per piece (excluding packing)	3.1 g
Customs tariff number	85366990
Country of origin	DE

# CK4,0-ED-6,00ST AG - Crimp contact



1663268

<https://www.phoenixcontact.com/us/products/1663268>

## Technical data

### Product properties

Product type	Crimp contact
Series	HC-M-03
	HC-M-03/04
	HC-M-04
	HC-K
	HC-M-02
	HC-HS
	HC-COM
Contact material type	turned

### Connection data

#### Connection technology

Contact connection type	Pin
Connection method	Crimp connection

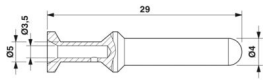
#### Conductor connection

Stripping length	10 mm
Connection cross section	6 mm <sup>2</sup> ... 6 mm <sup>2</sup>
Connection cross section AWG	10 ... 10

### Material specifications

Material Contact	Cu alloy
Material Contact surface	Ag

### Dimensions

Dimensional drawing	
Diameter (Contact diameter)	4 mm

### Electrical properties

Rated current	40 A (Take into account the derating of the contact insert used. The rated current corresponds to the maximum possible connection cross-section.)
---------------	---

### Mechanical properties

#### Mechanical data

Insertion/withdrawal cycles	≥ 500
-----------------------------	-------

### Environmental and real-life conditions

# CK4,0-ED-6,00ST AG - Crimp contact



1663268

<https://www.phoenixcontact.com/us/products/1663268>

## Ambient conditions

Ambient temperature (operation)

-40 °C ... 125 °C

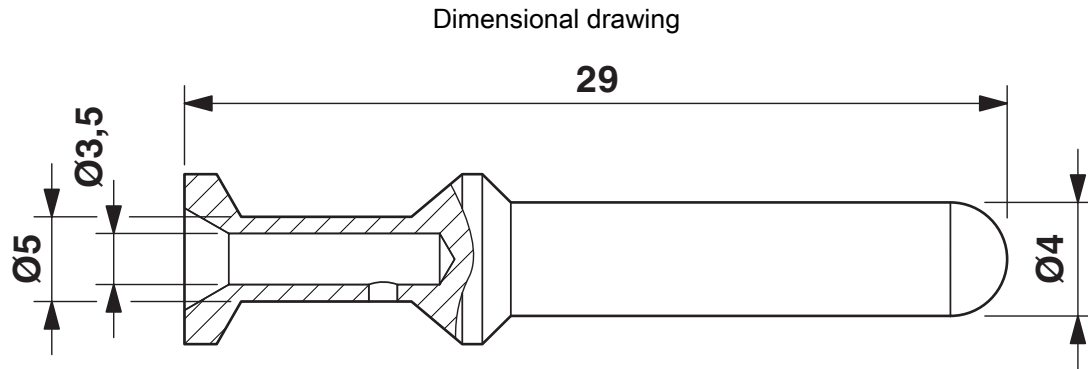
# CK4,0-ED-6,00ST AG - Crimp contact



1663268

<https://www.phoenixcontact.com/us/products/1663268>

## Drawings



Dimensional drawing

# CK4,0-ED-6,00ST AG - Crimp contact



1663268

<https://www.phoenixcontact.com/us/products/1663268>

## Approvals

To download certificates, visit the product detail page: <https://www.phoenixcontact.com/us/products/1663268>



**EAC**

Approval ID: RU C-DE.AI30.B.01102

# CK4,0-ED-6,00ST AG - Crimp contact



1663268

<https://www.phoenixcontact.com/us/products/1663268>

## Classifications

### ECLASS

ECLASS-13.0	27440204
ECLASS-15.0	27440204

### ETIM

ETIM 10.0	EC000796
-----------	----------

### UNSPSC

UNSPSC 21.0	39121500
-------------	----------

# CK4,0-ED-6,00ST AG - Crimp contact



1663268

<https://www.phoenixcontact.com/us/products/1663268>

## Environmental product compliance

### EU RoHS

Fulfills EU RoHS substance requirements	Yes, No exemptions
---	--------------------

### China RoHS

Environment friendly use period (EFUP)	EFUP-E
	No hazardous substances above the limits

### EU REACH SVHC

REACH candidate substance (CAS No.)	No substance above 0.1 wt%
-------------------------------------	----------------------------

### EF3.1 Climate Change

CO2e kg	0.049 kg CO2e
---------	---------------

Phoenix Contact 2026 © - all rights reserved  
<https://www.phoenixcontact.com>

Phoenix Contact USA  
586 Fulling Mill Road  
Middletown, PA 17057, United States  
(+717) 944-1300  
[info@phoenixcon.com](mailto:info@phoenixcon.com)