

HC-B 16-ESTZZ - Contact insert



1605310

<https://www.phoenixcontact.com/us/products/1605310>

Please be informed that the data shown in this PDF document is generated from our online catalog. Please find the complete data in the user documentation. Our general terms of use for downloads are valid.

HEAVYCON male insert, B16 series, 16-pos., 2 spring-cage connections per contact



Commercial data

Item number	1605310
Packing unit	1 pc
Note	Made to order (non-returnable)
Sales key	BF61
Product key	AF7ABC
GTIN	4017918924096
Weight per piece (including packing)	122.5 g
Weight per piece (excluding packing)	122.5 g
Customs tariff number	85366990
Country of origin	RO

HC-B 16-ESTZZ - Contact insert



1605310

<https://www.phoenixcontact.com/us/products/1605310>

Technical data

Notes

General	For housing HC-B16
---------	--------------------

Mounting

Assembly note	For housing $h \geq 72$ mm. Connectors may be operated only when there is no load/voltage.
	For housings of type B16/B32. Connectors may only be actuated when there is no load/voltage.

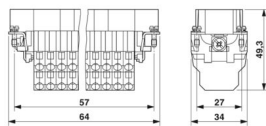
Product properties

Series	HC-B
Type	B16
	B32
Number of positions	16
Connection profile	16+PE
Contact numbering	1 - 16

Insulation characteristics

Overvoltage category	III
Degree of pollution	3

Dimensions

Dimensional drawing	
Width	34 mm
Height	35.5 mm
Length	84.5 mm

Mechanical characteristics

Minimum housing height	72 mm
------------------------	-------

Connection data

Connection technology

Connection technology	Spring-cage connection
-----------------------	------------------------

Conductor connection

Conductor cross-section	0.14 mm ² ... 2.5 mm ²
Connection cross section AWG	26 ... 14
Stripping length of the individual wire	10 mm \pm 1 mm

HC-B 16-ESTZZ - Contact insert



1605310

<https://www.phoenixcontact.com/us/products/1605310>

Electrical properties

Rated voltage (III/3)	500 V
Rated surge voltage	6 kV
Rated current	16 A

Mechanical properties

Mechanical data

Insertion/withdrawal cycles	≥ 500
-----------------------------	-------

Material specifications

Flammability rating according to UL 94	V0
Contact material	Copper alloy
Contact surface material	Ag
Contact carrier material	PC

Environmental and real-life conditions

Ambient conditions

Ambient temperature (operation)	-40 °C ... 125 °C (including heating up of contacts)
---------------------------------	--

HC-B 16-ESTZZ - Contact insert

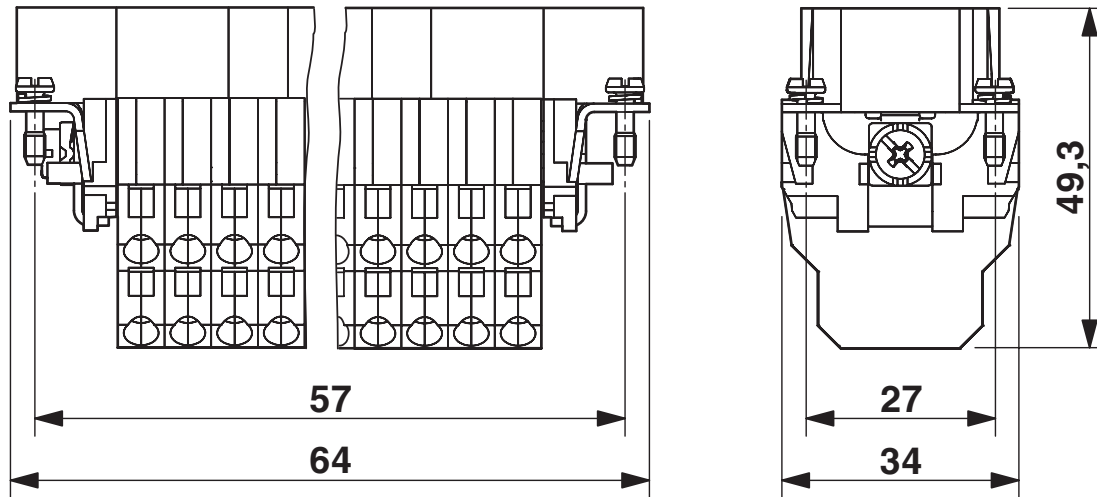


1605310

<https://www.phoenixcontact.com/us/products/1605310>

Drawings

Dimensional drawing



Male contact insert

Dimensional drawing



Mounting cutout

HC-B 16-ESTZZ - Contact insert

1605310

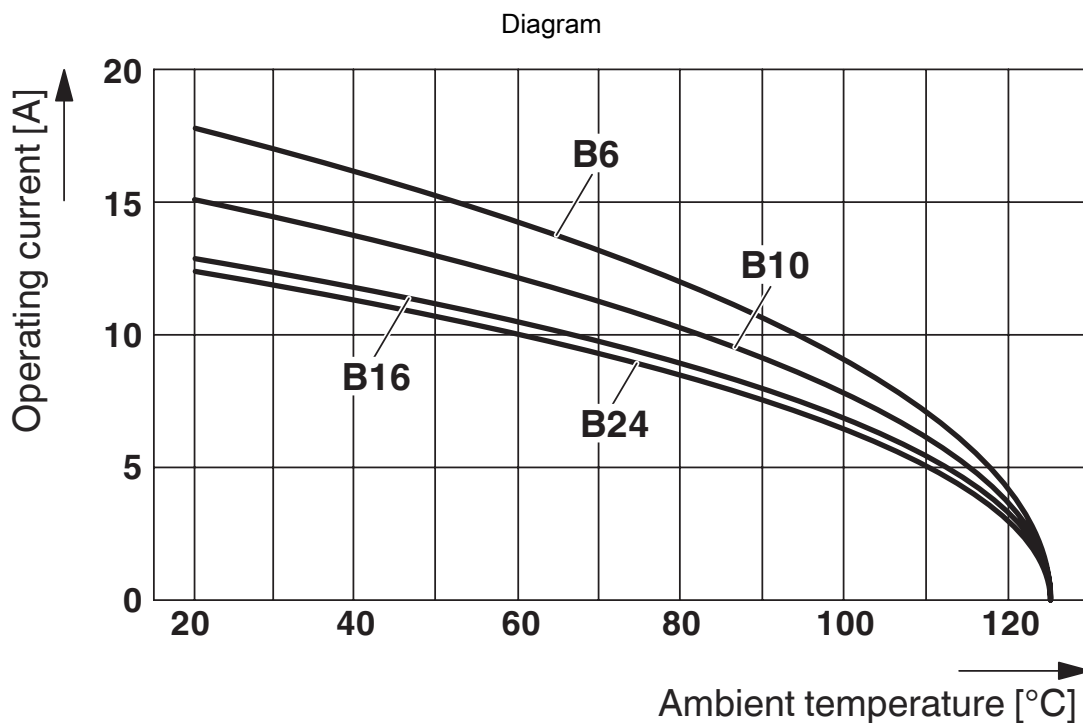
<https://www.phoenixcontact.com/us/products/1605310>



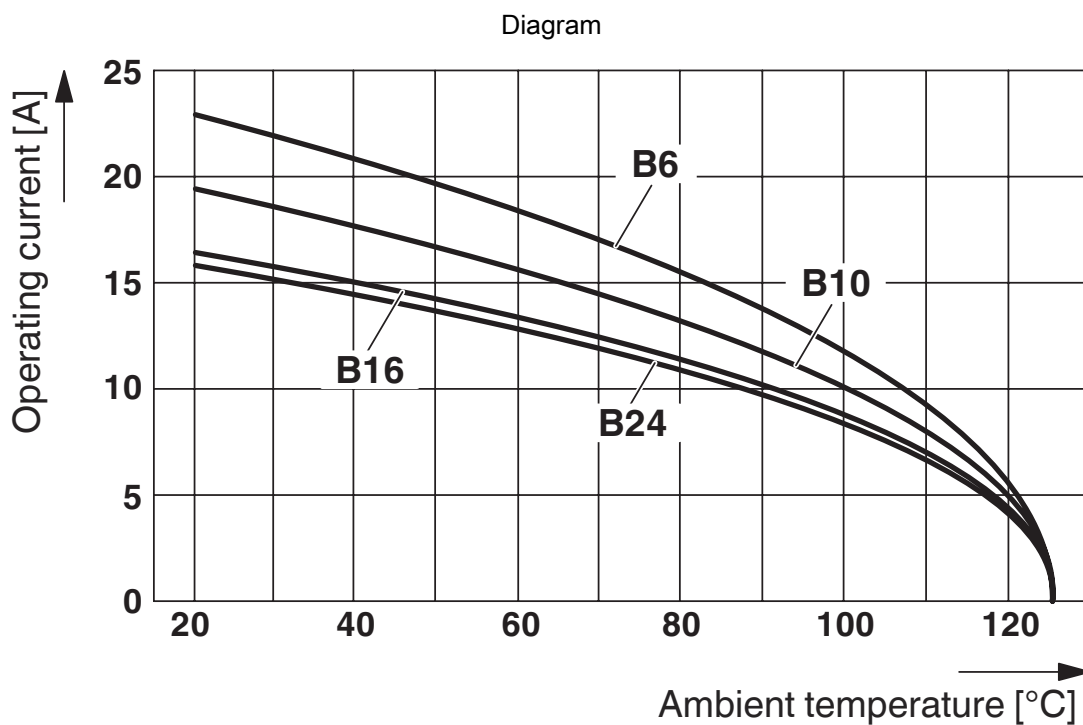
Schematic diagram



Connector pin assignment, connection side



The figure shows the derating diagram of various series B contact inserts (B6 to B24), conductor cross-section 1.5 mm²



The figure shows the derating diagram of various series B contact inserts (B6 to B24), conductor cross-section 2.5 mm²

HC-B 16-ESTZZ - Contact insert



1605310

<https://www.phoenixcontact.com/us/products/1605310>

Classifications

ECLASS

ECLASS-13.0	27440205
ECLASS-15.0	27440205

Phoenix Contact 2026 © - all rights reserved

<https://www.phoenixcontact.com>

Phoenix Contact USA
586 Fulling Mill Road
Middletown, PA 17057, United States
(+717) 944-1300
info@phoenixcon.com