

SAC-5P-MINMS/ 2,0-928/MINFR DN - Bus system cable



1417841

<https://www.phoenixcontact.com/us/products/1417841>

Please be informed that the data shown in this PDF document is generated from our online catalog. Please find the complete data in the user documentation. Our general terms of use for downloads are valid.



Bus system cable, DeviceNet™, 5-position, shielded, Plug straight 7/8"-16UNF, coding: A, on Socket angled 7/8"-16UNF, cable length: 2 m, Connector unshielded

Commercial data

Item number	1417841
Packing unit	1 pc
Note	Made to order (non-returnable)
Sales key	BF14
Product key	AF1FDD
GTIN	4046356540162
Weight per piece (including packing)	497 g
Weight per piece (excluding packing)	497 g
Customs tariff number	85444290
Country of origin	DE

SAC-5P-MINMS/ 2,0-928/MINFR DN - Bus system cable



1417841

<https://www.phoenixcontact.com/us/products/1417841>

Technical data

Product properties

Product type	Data cable preassembled
Application	Standard
Number of positions	5
No. of cable outlets	1
Shielded	yes
Coding	A

Insulation characteristics

Overvoltage category	II
Degree of pollution	3

Interfaces

Bus system	DeviceNet™
Signal type/category	DeviceNet™

Signaling

Status display	no
Status display present	no

Electrical properties

Nominal voltage U_N	30 V
Nominal current I_N	5.2 A
Transmission medium	Copper

Material specifications

Flammability rating according to UL 94	HB
Seal material	TPU
Material of grip body	TPU
Contact material	CuZn
Contact surface material	Au
Contact carrier material	PA 6.6
Material for screw connection	Stainless steel

Connection data

Connection assignment

Contact Color (signal designation) Contact (optional)	1 (Plug) SR (shield) 1 (Socket)
	2 (Plug) RD (V+) 2 (Socket)
	3 (Plug) BK (V-) 3 (Socket)
	4 (Plug) WH (CAN_H) 4 (Socket)
	5 (Plug) BU (CAN_L) 5 (Socket)

SAC-5P-MINMS/ 2,0-928/MINFR DN - Bus system cable



1417841

<https://www.phoenixcontact.com/us/products/1417841>

Connector

Connection 1

Type	Plug straight 7/8"-16UNF
Number of positions	5
Coding type	A (Standard)

Connection 2

Type	Socket angled 7/8"-16UNF
Number of positions	5

Cable/line

Cable length	2 m
Signal type/category	DeviceNet™

Environmental and real-life conditions

Ambient conditions

Degree of protection	IP65
	IP67
Ambient temperature (operation) (male connector/female connector)	-40 °C ... 80 °C (Plug / socket)

SAC-5P-MINMS/ 2,0-928/MINFR DN - Bus system cable

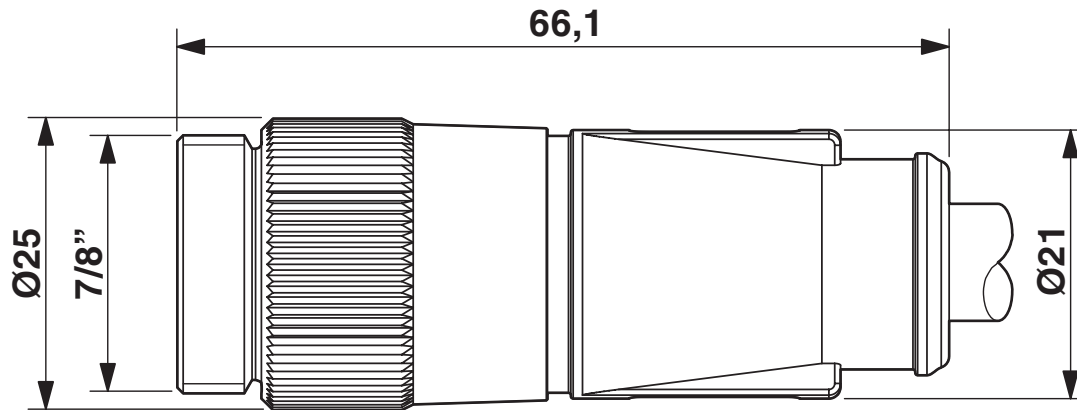


1417841

<https://www.phoenixcontact.com/us/products/1417841>

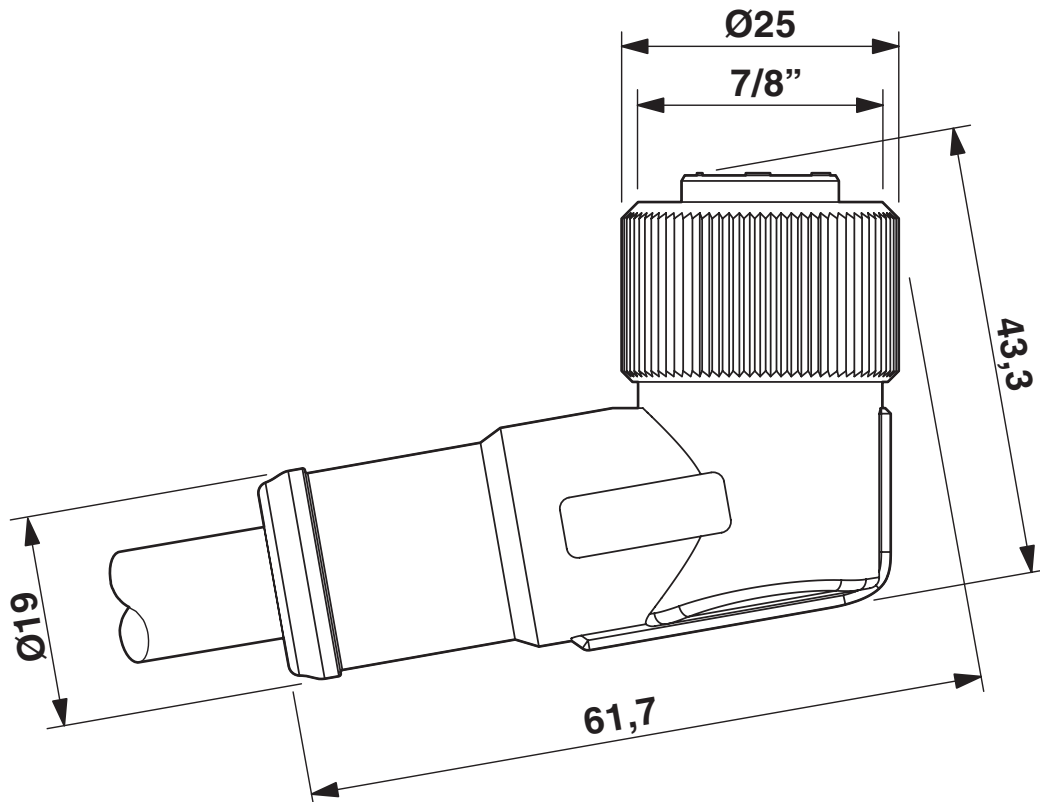
Drawings

Dimensional drawing



7/8"-16UNF plug, straight

Dimensional drawing



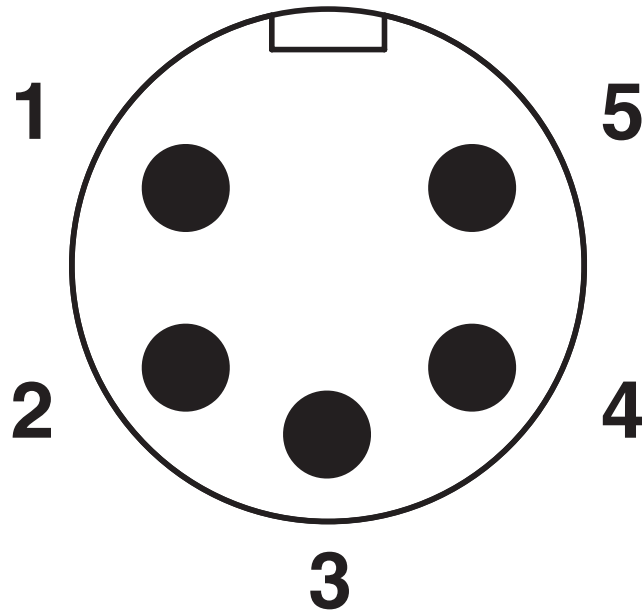
7/8"-16UNF socket, angled

SAC-5P-MINMS/ 2,0-928/MINFR DN - Bus system cable

1417841

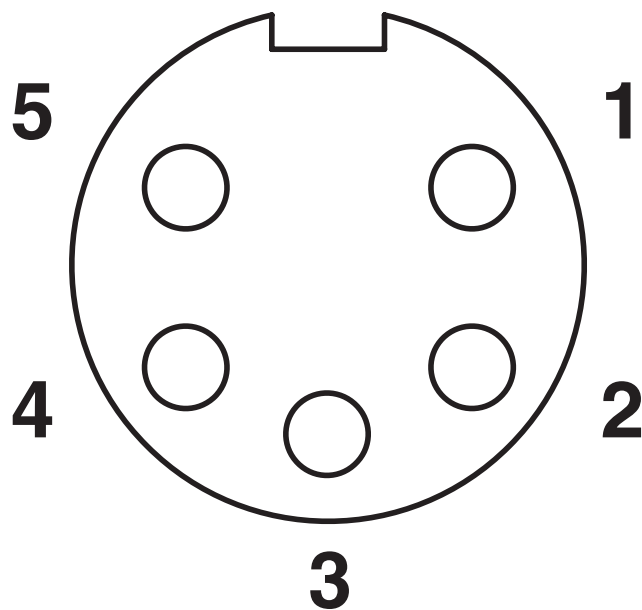
<https://www.phoenixcontact.com/us/products/1417841>

Schematic diagram



Plug pin assignment for 7/8"-16UNF plug, 5-pos.

Schematic diagram



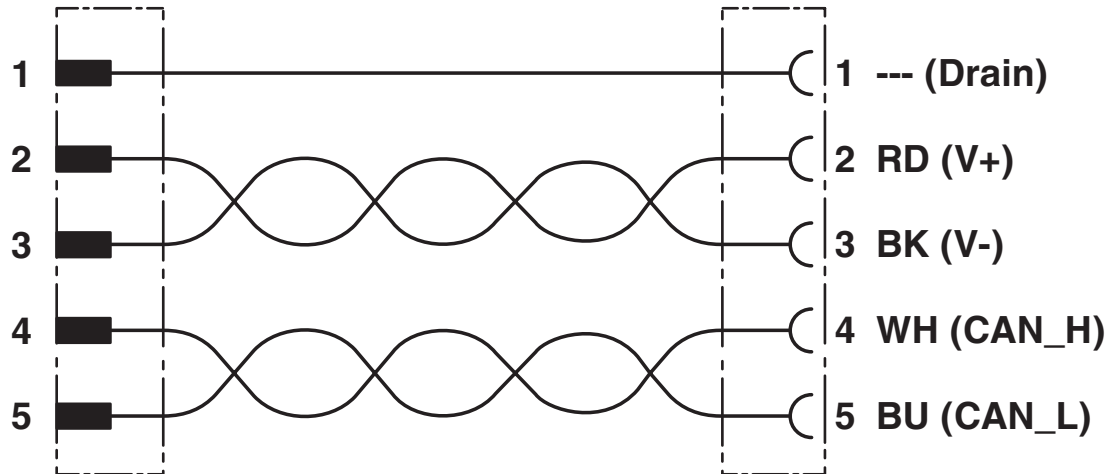
Pin assignment, socket, 7/8"-16UNF, 5-pos., view of female side

SAC-5P-MINMS/ 2,0-928/MINFR DN - Bus system cable

1417841

<https://www.phoenixcontact.com/us/products/1417841>

Circuit diagram



Contact assignment of the 7/8" connector and the 7/8" socket

SAC-5P-MINMS/ 2,0-928/MINFR DN - Bus system cable



1417841

<https://www.phoenixcontact.com/us/products/1417841>

Classifications

ECLASS

ECLASS-13.0	27060307
ECLASS-15.0	27060307

Phoenix Contact 2026 © - all rights reserved

<https://www.phoenixcontact.com>

Phoenix Contact USA
586 Fulling Mill Road
Middletown, PA 17057, United States
(+717) 944-1300
info@phoenixcon.com