

# SAC-6P-M8MS/3,7-PUR/M8FS OBS - Sensor/actuator cable



1415744

<https://www.phoenixcontact.com/us/products/1415744>

Please be informed that the data shown in this PDF document is generated from our online catalog. Please find the complete data in the user documentation. Our general terms of use for downloads are valid.



Sensor/actuator cable, 6-position, PUR halogen-free, black-gray RAL 7021, Plug straight M8, coding: A, on Socket straight M8, cable length: 3.7 m

## Commercial data

Item number	1415744
Packing unit	1 pc
Minimum order quantity	1 pc
Note	Made to order (non-returnable)
Sales key	BF19
Product key	AF1BGA
GTIN	4055626049625
Weight per piece (including packing)	130 g
Weight per piece (excluding packing)	130 g
Customs tariff number	85444290
Country of origin	PL

# SAC-6P-M8MS/3,7-PUR/M8FS OBS - Sensor/actuator cable



1415744

<https://www.phoenixcontact.com/us/products/1415744>

## Technical data

### Product properties

Product type	Sensor/actuator cable
Number of positions	6
No. of cable outlets	1
Shielded	no
Coding	A

### Insulation characteristics

Overvoltage category	II
Degree of pollution	3

### Material specifications

Flammability rating according to UL 94	HB
Material of grip body	TPU, hardly inflammable, self-extinguishing
Contact material	CuZn
Contact surface material	Ni/Au
Contact carrier material	TPU GF
Material for screw connection	Zinc die-cast, nickel-plated

### Electrical properties

Insulation resistance	$\geq 100 \text{ M}\Omega$
Nominal voltage $U_N$	30 V AC
	30 V DC
Nominal current $I_N$	1.5 A

### Mechanical properties

#### Mechanical data

Insertion/withdrawal cycles	$\geq 100$
-----------------------------	------------

### Signaling

Status display	no
Status display present	no

### Connector

#### Connection 1

Type	Plug straight M8
Number of positions	6
Coding type	A

#### Connection 2

Type	Socket straight M8
Number of positions	6


# SAC-6P-M8MS/3,7-PUR/M8FS OBS - Sensor/actuator cable



1415744

<https://www.phoenixcontact.com/us/products/1415744>

## Cable/line

Cable length	3.7 m
PUR halogen-free black [PUR]	
Dimensional drawing	
Cable weight	34 kg/km
Number of positions	6
Shielded	no
Cable type	PUR halogen-free black [PUR]
Conductor structure signal line	32x 0.10 mm
AWG signal line	24
Conductor cross-section	6x 0.25 mm <sup>2</sup> (Signal line)
Wire diameter incl. insulation	1.17 mm ±0.02 mm
External cable diameter	5 mm 5.00 mm ±0.15 mm
Outer sheath, material	PUR
External sheath, color	black-gray RAL 7021
Conductor material	Bare Cu litz wires
Material, filler	PE
Material wire insulation	PP
Single wire, color	brown, white, blue, black, gray, pink
Thickness, insulation	≥ 0.21 mm (Core insulation)
Thickness, outer sheath	approx. 0.70 mm
Overall twist	Six cores around the filler to the core
Max. conductor resistance	78 Ω/km (at 20 °C)
Insulation resistance	≥ 100 MΩ*km (at 20 °C)
Nominal voltage, cable	≤ 300 V
Test voltage	≥ 3000 V
Minimum bending radius, fixed installation	5 x D
Minimum bending radius, flexible installation	10 x D
Smallest bending radius, fixed installation	25 mm
Smallest bending radius, movable installation	50 mm
Dynamic load capacity (bending)	Max. bending cycles: 10000000, Bending radius: 50 mm, Traversing path: 10 m, Traversing rate: 3 m/s, Acceleration: 10 m/s <sup>2</sup>
Dynamic load capacity (torsion)	Torsion: ±180 °/m, Torsion cycles: ≥5000000, Torsional frequency: 35 cycles/min.

# SAC-6P-M8MS/3,7-PUR/M8FS OBS - Sensor/actuator cable



1415744

<https://www.phoenixcontact.com/us/products/1415744>

Halogen-free	in accordance with DIN VDE 0472 part 815
Flame resistance	in accordance with DIN UL-Style 20549
Resistance to oil	in accordance with DIN EN 60811-2-1
Other resistance	Highly resistant to acids, alkaline solutions and solvents
	hydrolysis and microbe resistant
	partly UV-resistant (in accordance with DIN EN ISO 4892-2-A)
Special properties	Flexible cable conduit capable
	Silicone-free
	Free of substances which would hinder coating with paint or varnish
Ambient temperature (operation)	-40 °C ... 80 °C (cable, fixed installation)
	-5 °C ... 80 °C (Cable, flexible installation)

## Environmental and real-life conditions

### Ambient conditions

Degree of protection	IP65
	IP67
Ambient temperature (operation) (male connector/female connector)	-25 °C ... 90 °C (Plug / socket)
Ambient temperature (operation) (Cable, fixed installation)	-40 °C ... 80 °C (cable, fixed installation)
Ambient temperature (operation) (Cable, flexible installation)	-5 °C ... 80 °C (Cable, flexible installation)

## Standards and regulations

### M8

Standard designation	M8 connector
Standards/specifications	IEC 61076-2-104

# SAC-6P-M8MS/3,7-PUR/M8FS OBS - Sensor/actuator cable

1415744

<https://www.phoenixcontact.com/us/products/1415744>

## Drawings

Dimensional drawing



M8 x 1 male plug, straight version

Schematic diagram



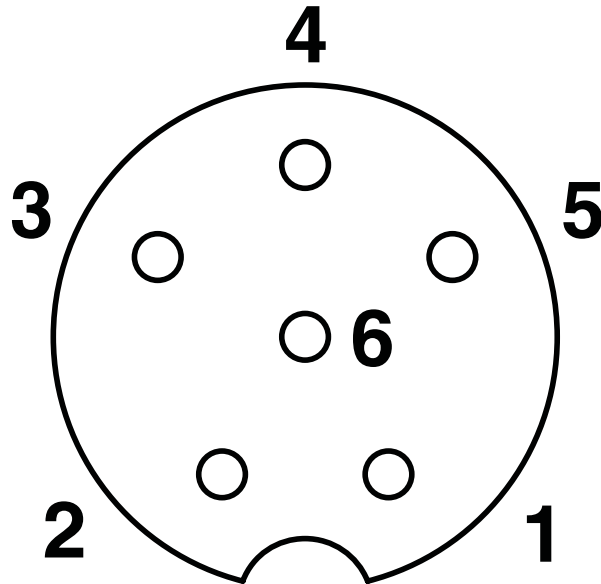
Pin assignment M8 plug, 6-pos., view male side

# SAC-6P-M8MS/3,7-PUR/M8FS OBS - Sensor/actuator cable

1415744

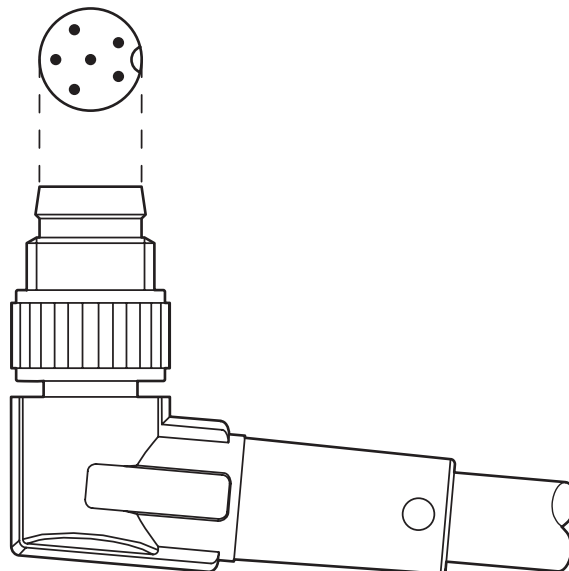
<https://www.phoenixcontact.com/us/products/1415744>

Schematic diagram



Pin assignment M8 socket, 6-pos.

Schematic diagram



Layout of connector pin assignments

# SAC-6P-M8MS/3,7-PUR/M8FS OBS - Sensor/actuator cable



1415744

<https://www.phoenixcontact.com/us/products/1415744>

Circuit diagram



Contact assignment of the M8 plug

# SAC-6P-M8MS/3,7-PUR/M8FS OBS - Sensor/actuator cable



1415744

<https://www.phoenixcontact.com/us/products/1415744>

## Approvals

To download certificates, visit the product detail page: <https://www.phoenixcontact.com/us/products/1415744>

 <b>UL Listed</b> Approval ID: FILE E 221474				
	Nominal voltage $U_N$	Nominal current $I_N$	Cross section AWG	Cross section $\text{mm}^2$
keine				
	125 V	4 A	-	-

 <b>cUL Listed</b> Approval ID: FILE E 221474				
	Nominal voltage $U_N$	Nominal current $I_N$	Cross section AWG	Cross section $\text{mm}^2$
keine				
	125 V	4 A	-	-

# SAC-6P-M8MS/3,7-PUR/M8FS OBS - Sensor/actuator cable



1415744

<https://www.phoenixcontact.com/us/products/1415744>

## Classifications

### ECLASS

ECLASS-13.0	27060311
ECLASS-15.0	27060311

### ETIM

ETIM 10.0	EC001855
-----------	----------

### UNSPSC

UNSPSC 21.0	26121600
-------------	----------

# SAC-6P-M8MS/3,7-PUR/M8FS OBS - Sensor/actuator cable



1415744

<https://www.phoenixcontact.com/us/products/1415744>

## Environmental product compliance

### EU RoHS

Fulfills EU RoHS substance requirements	Yes, No exemptions
---	--------------------

### China RoHS

Environment friendly use period (EFUP)	EFUP-E
	No hazardous substances above the limits

### EU REACH SVHC

REACH candidate substance (CAS No.)	No substance above 0.1 wt%
-------------------------------------	----------------------------

Phoenix Contact 2026 © - all rights reserved  
<https://www.phoenixcontact.com>

Phoenix Contact USA  
586 Fulling Mill Road  
Middletown, PA 17057, United States  
(+717) 944-1300  
[info@phoenixcon.com](mailto:info@phoenixcon.com)