

DD31H 2,2/ 6-FH-3,81-X - PCB connector



1340708

<https://www.phoenixcontact.com/us/products/1340708>

Please be informed that the data shown in this PDF document is generated from our online catalog. Please find the complete data in the user documentation. Our general terms of use for downloads are valid.



CRIMP



BOX



PCB connector, color: black, nominal current: 8 A, rated voltage (III/2): 160 V, contact surface: Sn, contact connection type: Pin, number of rows: 2, number of positions: 6, product range: DD31H 2,2/..-FH, pitch: 3.81 mm, connection method: Crimp connection, conductor/PCB connection direction: 0 °, pin layout: Linear pinning, locking clip: - without locking clip, plug-in system: CONNEXIS DD, locking: Snap-in locking, mounting method: Engagement nose, type of packaging: packed in cardboard

Your advantages

- Cost-effective connection of crimped conductors in large quantities
- Small component size for applications where space is at a premium
- Contacts arranged in a double row enable high packing density in a compact area
- Intuitive locking mechanism prevents accidental disconnection
- Tools for automatic crimping available as an option

Commercial data

| | |
|--------------------------------------|---------------|
| Item number | 1340708 |
| Packing unit | 50 pc |
| Minimum order quantity | 50 pc |
| Sales key | AA02 |
| Product key | AABCUF |
| GTIN | 4063151648206 |
| Weight per piece (including packing) | 6.8 g |
| Weight per piece (excluding packing) | 7.316 g |
| Customs tariff number | 85366990 |
| Country of origin | CN |

DD31H 2,2/ 6-FH-3,81-X - PCB connector



1340708

<https://www.phoenixcontact.com/us/products/1340708>

Technical data

Product properties

| | |
|---------------------|-----------------------|
| Product type | PCB connector |
| Product family | DD31H 2,2/...-FH |
| Product line | CONNEXIS Connectors S |
| Number of positions | 6 |
| Pitch | 3.81 mm |
| Number of rows | 2 |
| Pin layout | Linear pinning |

Electrical properties

Properties

| | |
|-----------------------------|--------------|
| Nominal current I_N | 8 A |
| Nominal voltage U_N | 160 V |
| Contact resistance | 5 m Ω |
| Rated voltage (III/3) | 160 V |
| Rated surge voltage (III/3) | 2.5 kV |
| Rated voltage (III/2) | 160 V |
| Rated surge voltage (III/2) | 2.5 kV |
| Rated voltage (II/2) | 320 V |
| Rated surge voltage (II/2) | 2.5 kV |

Connection data

Interlock

| | |
|---------------|-----------------|
| Locking type | Snap-in locking |
| Mounting type | Engagement nose |

Conductor connection

| | |
|------------------------------------|------------------|
| Connection method | Crimp connection |
| Conductor/PCB connection direction | 0 ° |
| Conductor cross-section AWG | 28 ... 14 |
| Stripping length | 4.5 mm |

Material specifications

Material data - contact

| | |
|--|----------|
| Metal surface contact area (top layer) | Tin (Sn) |
|--|----------|

Material data - housing

| | |
|----------------------------|----------------------|
| Color (Housing) | black (9005) |
| Insulating material | PBT |
| Insulating material group | II |
| CTI according to IEC 60112 | 400 \leq CTI < 600 |

DD31H 2,2/ 6-FH-3,81-X - PCB connector

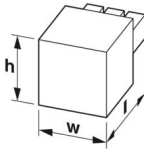


1340708

<https://www.phoenixcontact.com/us/products/1340708>

| | |
|--|----|
| Flammability rating according to UL 94 | V0 |
|--|----|

Dimensions

| | |
|---------------------|--|
| Dimensional drawing |  |
| Pitch | 3.81 mm |
| Width [w] | 25.57 mm |
| Height [h] | 17.78 mm |
| Length [l] | 33.6 mm |

Mounting

| | |
|------------|----------------|
| Pin layout | Linear pinning |
|------------|----------------|

Notes

| | |
|---------------------|---|
| Note on the contact | These connectors conform to DIN EN 61984, connectors without switching power (COC). When used for their intended purpose, they must not be plugged in or disconnected live or under load. |
| Note on application | All laboratory tests are performed in combination with the crimp contacts specified as accessories. |
| Note on application | The current depends on the crimp contact and conductor cross-section used. |
| Note on application | The corresponding crimp contacts are to be found in the "Accessories" tab. |

Mechanical tests

Tensile strength of crimp connections

| | |
|---|----------------------------|
| Result | Test passed |
| Conductor cross-section/conductor type/tractive force setpoint/actual value | AWG 28 / flexible / > 11 N |

Insertion and withdrawal forces

| | |
|-------------------------------------|------------------------|
| Specification | IEC 60512-13-2:2006-02 |
| Result | Test passed |
| No. of cycles | 25 |
| Insertion strength per pos. approx. | 6 N |
| Withdraw strength per pos. approx. | 6 N |

Resistance of inscriptions

| | |
|---------------|------------------------|
| Specification | IEC 60068-2-70:1995-12 |
| Result | Test passed |

Polarization and coding

| | |
|---------------|------------------------|
| Specification | IEC 60512-13-5:2006-02 |
|---------------|------------------------|

DD31H 2,2/ 6-FH-3,81-X - PCB connector



1340708

<https://www.phoenixcontact.com/us/products/1340708>

| | |
|--------|-------------|
| Result | Test passed |
|--------|-------------|

Visual inspection

| | |
|---------------|-----------------------|
| Specification | IEC 60512-1-1:2002-02 |
| Result | Test passed |

Dimension check

| | |
|---------------|-----------------------|
| Specification | IEC 60512-1-2:2002-02 |
| Result | Test passed |

Environmental and real-life conditions

Durability test

| | |
|---|-----------------------|
| Specification | IEC 60512-9-1:2010-03 |
| Impulse withstand voltage at sea level | 2.95 kV |
| Contact resistance R ₁ | 5 mΩ |
| Contact resistance R ₂ | 5 mΩ |
| Contact resistance R ₂ 2nd level | 5 mΩ |
| Insertion/withdrawal cycles | 25 |

Climatic test

| | |
|-----------------------------------|---|
| Specification | ISO 6988:1985-02 |
| Corrosive stress | 0.2 dm ³ SO ₂ on 300 dm ³ /40 °C/1 cycle |
| Thermal stress | 105 °C/168 h |
| Power-frequency withstand voltage | 1.39 kV |

Vibration test

| | |
|------------------------|--|
| Specification | IEC 60068-2-6:2007-12 |
| Frequency | 10 - 150 - 10 Hz |
| Sweep speed | 1 octave/min |
| Amplitude | 0.35 mm (10 Hz ... 60.1 Hz) |
| Acceleration | 50 m/s ² (60.1 Hz ... 150 Hz) |
| Test duration per axis | 2.5 h |
| Test directions | X-, Y- and Z-axis |

Ambient conditions

| | |
|---|---|
| Ambient temperature (storage/transport) | -40 °C ... 70 °C |
| Relative humidity (storage/transport) | 30 % ... 70 % |
| Ambient temperature (assembly) | -5 °C ... 100 °C |
| Ambient temperature (operation) | -55 °C ... 105 °C (dependent on the derating curve) |

Electrical tests

Thermal test | Test group C

| | |
|----------------------------|-----------------------|
| Specification | IEC 60512-5-1:2002-02 |
| Tested number of positions | 20 |

Insulation resistance

DD31H 2,2/ 6-FH-3,81-X - PCB connector



1340708

<https://www.phoenixcontact.com/us/products/1340708>

| | |
|--|-----------------------|
| Specification | IEC 60512-3-1:2002-02 |
| Insulation resistance, neighboring positions | > 5 MΩ |

Air clearances and creepage distances |

| | |
|--|---------------------|
| Specification | IEC 60664-1:2007-04 |
| Insulating material group | II |
| Comparative tracking index (IEC 60112) | CTI ≥400 to <600 |
| Rated insulation voltage (III/3) | 160 V |
| Rated surge voltage (III/3) | 2.5 kV |
| minimum clearance value - non-homogenous field (III/3) | 1.5 mm |
| minimum creepage distance (III/3) | 2.2 mm |
| Rated insulation voltage (III/2) | 160 V |
| Rated surge voltage (III/2) | 2.5 kV |
| minimum clearance value - non-homogenous field (III/2) | 1.5 mm |
| minimum creepage distance (III/2) | 1.5 mm |
| Rated insulation voltage (II/2) | 320 V |
| Rated surge voltage (II/2) | 2.5 kV |
| minimum clearance value - non-homogenous field (II/2) | 1.5 mm |
| minimum creepage distance (II/2) | 2.2 mm |

Packaging specifications

| | |
|-------------------|---------------------|
| Type of packaging | packed in cardboard |
|-------------------|---------------------|

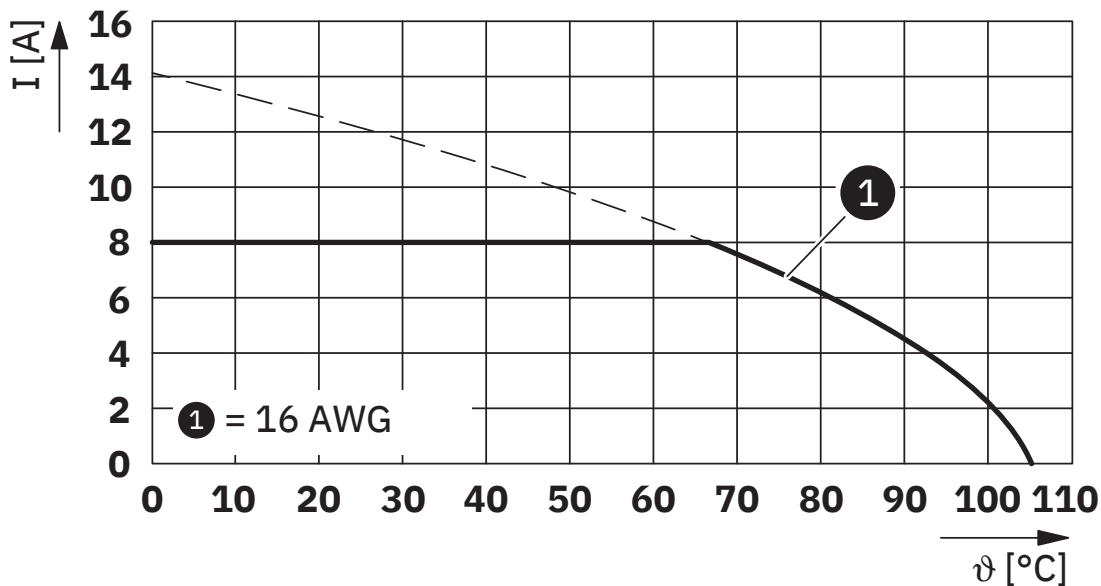
Drawings

Diagram



Type: DD31PC 2,2/...-3,81-X with DD31H 2,2/...-FH-3,81-X

Diagram



Type: DD31PS 1,5/...-3,81-X with DD31H 2,2/...-FH-3,81-X

DD31H 2,2/ 6-FH-3,81-X - PCB connector





1340708

<https://www.phoenixcontact.com/us/products/1340708>

Approvals

To download certificates, visit the product detail page: <https://www.phoenixcontact.com/us/products/1340708>

|  cULus Recognized Approval ID: E60425-20240617 | | | | |
|---|-----------------------|-----------------------|-------------------|-----------------------------|
| | Nominal voltage U_N | Nominal current I_N | Cross section AWG | Cross section mm^2 |
| B | | | | |
| Factory wiring | 150 V | 8 A | 24 - 16 | - |

|  UL Recognized Approval ID: E118976-20240617 | | | | |
|---|-----------------------|-----------------------|-------------------|-----------------------------|
| | Nominal voltage U_N | Nominal current I_N | Cross section AWG | Cross section mm^2 |
| keine | | | | |
| | 250 V | 9.75 A | 14 | - |

DD31H 2,2/ 6-FH-3,81-X - PCB connector



1340708

<https://www.phoenixcontact.com/us/products/1340708>

Classifications

ECLASS

| | |
|-------------|----------|
| ECLASS-13.0 | 27460202 |
| ECLASS-15.0 | 27460202 |

ETIM

| | |
|-----------|----------|
| ETIM 10.0 | EC002638 |
|-----------|----------|

UNSPSC

| | |
|-------------|----------|
| UNSPSC 21.0 | 39121400 |
|-------------|----------|

DD31H 2,2/ 6-FH-3,81-X - PCB connector



1340708

<https://www.phoenixcontact.com/us/products/1340708>

Environmental product compliance

EU RoHS

| | |
|---|--------------------|
| Fulfills EU RoHS substance requirements | Yes, No exemptions |
|---|--------------------|

China RoHS

| | |
|--|--|
| Environment friendly use period (EFUP) | EFUP-E |
| | No hazardous substances above the limits |

EU REACH SVHC

| | |
|-------------------------------------|----------------------------|
| REACH candidate substance (CAS No.) | No substance above 0.1 wt% |
|-------------------------------------|----------------------------|

EF3.1 Climate Change

| | |
|---------|---------------|
| CO2e kg | 0.103 kg CO2e |
|---------|---------------|

Phoenix Contact 2026 © - all rights reserved
<https://www.phoenixcontact.com>

Phoenix Contact USA
586 Fulling Mill Road
Middletown, PA 17057, United States
(+717) 944-1300
info@phoenixcon.com