

# SACC-M12MR-5CON-PG 7-M - Connector



1663129

<https://www.phoenixcontact.com/pc/products/1663129>

Please be informed that the data shown in this PDF document is generated from our online catalog. Please find the complete data in the user documentation. Our general terms of use for downloads are valid.

Connector, Universal, 5-position, Plug angled M12, coding: A, Screw connection, knurl material: Zinc die-cast, nickel-plated, cable gland Pg7, external cable diameter 4 mm ... 6 mm



## Your advantages

- Safe use in the field, thanks to a high degree of protection
- Screw connection: proven connection technology for a large selection of different conductors

## Commercial data

|                                      |               |
|--------------------------------------|---------------|
| Item number                          | 1663129       |
| Packing unit                         | 1 pc          |
| Minimum order quantity               | 1 pc          |
| Sales key                            | 02            |
| Product key                          | AF2CAA        |
| GTIN                                 | 4017918116590 |
| Weight per piece (including packing) | 24.37 g       |
| Weight per piece (excluding packing) | 22.4 g        |
| Customs tariff number                | 85366990      |
| Country of origin                    | DE            |

# SACC-M12MR-5CON-PG 7-M - Connector



1663129

<https://www.phoenixcontact.com/pc/products/1663129>

## Technical data

### Notes

|               |   |
|---------------|---|
| Assembly note | <b>NOTE:</b> Observe the permissible bending radii when routing cables, since the degree of protection may be at risk if the bending forces are too high. Reduce mechanical loads upstream of the connector, e.g., by using cable ties. |
|---------------|---|

### Mounting

|               |   |
|---------------|---|
| Assembly note | The connector pin assignment can be rotated 90° to the cable outlet |
|---------------|---|

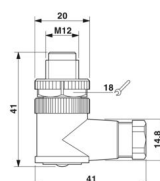
### Product properties

|                      |                                 |
|----------------------|---------------------------------|
| Product type         | Circular connector (cable-side) |
| Sensor type          | Universal                       |
| Number of positions  | 5                               |
| No. of cable outlets | 1                               |
| Shielded             | no                              |
| Coding               | A                               |
| Cable outlet         | angled                          |
| Pg screw connection  | Pg7                             |

### Insulation characteristics

|                      |    |
|----------------------|----|
| Overvoltage category | II |
| Degree of pollution  | 3  |

### Dimensions

|                     |  |
|---------------------|--|
| Dimensional drawing |  |
| Width               | 20 mm  |
| Height              | 41 mm  |
| Length              | 41 mm  |

### External dimensions

|                  |               |
|------------------|---------------|
| Outside diameter | 4 mm ... 6 mm |
|------------------|---------------|

### Housing

|                  |       |
|------------------|-------|
| Diameter housing | 20 mm |
|------------------|-------|

### Material specifications

|  |     |
|--|-----|
| Flammability rating according to UL 94 | HB  |
| Seal material                          | NBR |

# SACC-M12MR-5CON-PG 7-M - Connector



1663129

<https://www.phoenixcontact.com/pc/products/1663129>

|                               |                              |
|-------------------------------|------------------------------|
| Material of grip body         | PA                           |
| Contact material              | CuZn                         |
| Contact surface material      | CuSnZn                       |
| Contact carrier material      | PA                           |
| Material for screw connection | Zinc die-cast, nickel-plated |

## Connection data

### Conductor connection

|   |   |
|---|---|
| Connection method                       | Screw connection  |
| Connection cross section                | 0.25 mm <sup>2</sup> ... 0.75 mm <sup>2</sup> (without ferrule) |
|   | 0.14 mm <sup>2</sup> ... 0.75 mm <sup>2</sup> (with ferrule)    |
|   | 0.25 mm <sup>2</sup> ... 0.75 mm <sup>2</sup> (solid)           |
| Connection cross section AWG            | 24 ... 18 (without ferrule)                                     |
|   | 26 ... 20 (with ferrule)  |
| Stripping length of the individual wire | 5 mm  |
| Tightening torque                       | 0.4 Nm (M12 knurl)  |
|   | 0.2 Nm (Screw terminal blocks)                                  |
|   | 0.8 Nm ... 1 Nm (Pressure screw)                                |

## Electrical properties

|                                |          |
|--------------------------------|----------|
| Rated surge voltage            | 1.5 kV   |
| Contact resistance             | ≤ 8 mΩ   |
| Insulation resistance          | ≥ 100 MΩ |
| Nominal voltage U <sub>N</sub> | 48 V AC  |
|                                | 60 V DC  |
| Nominal current I <sub>N</sub> | 4 A      |

## Mechanical properties

### Mechanical data

|                             |      |
|-----------------------------|------|
| Insertion/withdrawal cycles | ≥ 50 |
|-----------------------------|------|

## Connector

### Connection 1

|                   |        |
|-------------------|--------|
| Head design       | Plug   |
| Head cable outlet | angled |
| Head thread type  | M12    |
| Coding            | A      |

## Cable/line

|   |           |
|---|-----------|
| Signal type/category                    | Universal |
| Stripping length of the individual wire | 5 mm      |

## Environmental and real-life conditions

# SACC-M12MR-5CON-PG 7-M - Connector



1663129

<https://www.phoenixcontact.com/pc/products/1663129>

## Ambient conditions

|   |                                  |
|---|----------------------------------|
| Degree of protection  | IP67                             |
| Ambient temperature (operation) (male connector/female connector) | -40 °C ... 85 °C (Plug / socket) |

## Standards and regulations

|                          |                 |
|--------------------------|-----------------|
| Standard designation     | M12 connector   |
| Standards/specifications | IEC 61076-2-101 |

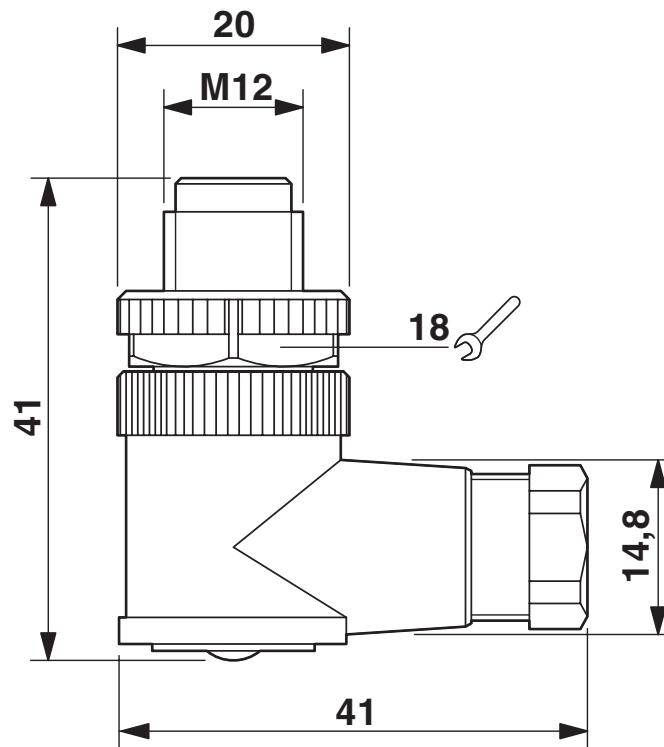
# SACC-M12MR-5CON-PG 7-M - Connector

1663129

<https://www.phoenixcontact.com/pc/products/1663129>

## Drawings

Dimensional drawing



M12 x 1 male plug, angled

# SACC-M12MR-5CON-PG 7-M - Connector

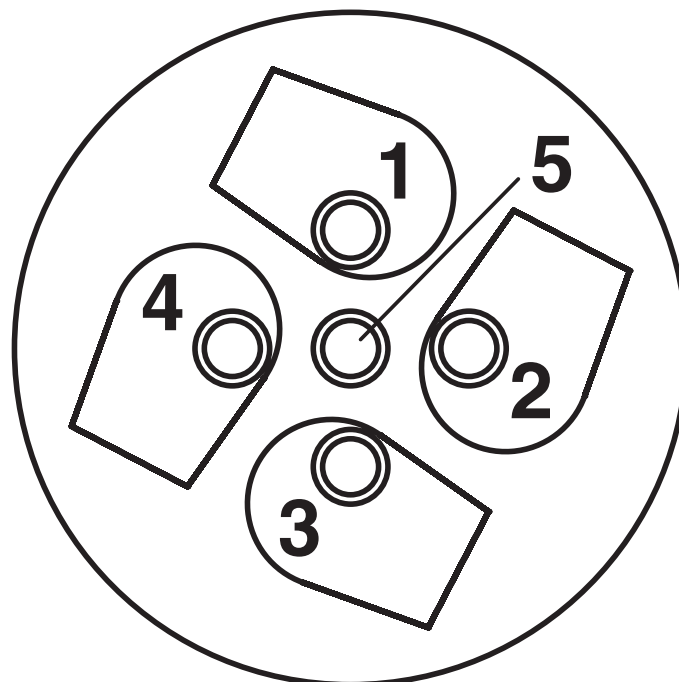
1663129

<https://www.phoenixcontact.com/pc/products/1663129>



Male/Female M12

Schematic diagram



Cable connection side M12 (screw connection)

# SACC-M12MR-5CON-PG 7-M - Connector

1663129

<https://www.phoenixcontact.com/pc/products/1663129>

Schematic diagram



Pin assignment, plug M 12 (male side)

# SACC-M12MR-5CON-PG 7-M - Connector





1663129

<https://www.phoenixcontact.com/pc/products/1663129>

## Approvals

To download certificates, visit the product detail page: <https://www.phoenixcontact.com/pc/products/1663129>

|  <b>cUL Recognized</b><br>Approval ID: FILE E 221474 |                       |                       |                   |                             |
|---|-----------------------|-----------------------|-------------------|-----------------------------|
|   | Nominal voltage $U_N$ | Nominal current $I_N$ | Cross section AWG | Cross section $\text{mm}^2$ |
| keine   |                       |                       |                   |                             |
|   | 60 V                  | 4 A                   | -                 | -                           |

|  <b>UL Recognized</b><br>Approval ID: FILE E 221474 |                       |                       |                   |                             |
|--|-----------------------|-----------------------|-------------------|-----------------------------|
|  | Nominal voltage $U_N$ | Nominal current $I_N$ | Cross section AWG | Cross section $\text{mm}^2$ |
| keine  |                       |                       |                   |                             |
|  | 60 V                  | 4 A                   | -                 | -                           |

# SACC-M12MR-5CON-PG 7-M - Connector



1663129

<https://www.phoenixcontact.com/pc/products/1663129>

## Classifications

### ECLASS

|             |          |
|-------------|----------|
| ECLASS-13.0 | 27440116 |
| ECLASS-15.0 | 27440116 |

### ETIM

|           |          |
|-----------|----------|
| ETIM 10.0 | EC002635 |
|-----------|----------|

### UNSPSC

|             |          |
|-------------|----------|
| UNSPSC 21.0 | 39121400 |
|-------------|----------|

1663129

<https://www.phoenixcontact.com/pc/products/1663129>

## Environmental product compliance

### EU RoHS

|   |      |
|---|------|
| Fulfills EU RoHS substance requirements | Yes  |
| Exemption                               | 6(c) |

### China RoHS

|  |   |
|--|---|
| Environment friendly use period (EFUP) | EFUP-50   |
|  | An article-related China RoHS declaration table can be found in the download area for the respective article under "Manufacturer declaration". For all articles with EFUP-E, no China RoHS declaration table issued and required. |

### EU REACH SVHC

|                                     |                                      |
|-------------------------------------|--------------------------------------|
| REACH candidate substance (CAS No.) | Lead(CAS: 7439-92-1)                 |
| SCIP                                | f8b7e5c9-1984-4c5e-acfd-3a0853730687 |

Phoenix Contact 2026 © - all rights reserved

<https://www.phoenixcontact.com>

PHOENIX CONTACT GmbH & Co. KG

Flachsmarktstraße 8

D-32825 Blomberg

+49 (0) 5235-3 00

[info@phoenixcontact.com](mailto:info@phoenixcontact.com)