

# SACC-M12MS-5CON-PG 7-M - Connector



1663116

<https://www.phoenixcontact.com/pc/products/1663116>

Please be informed that the data shown in this PDF document is generated from our online catalog. Please find the complete data in the user documentation. Our general terms of use for downloads are valid.



Connector, Universal, 5-position, Plug straight M12, coding: A, Screw connection, knurl material: Zinc die-cast, nickel-plated, cable gland Pg7, external cable diameter 4 mm ... 6 mm

## Your advantages

- Safe use in the field, thanks to a high degree of protection
- Screw connection: proven connection technology for a large selection of different conductors

## Commercial data

Item number	1663116
Packing unit	1 pc
Minimum order quantity	1 pc
Sales key	02
Product key	AF2CAA
GTIN	4017918116583
Weight per piece (including packing)	24.16 g
Weight per piece (excluding packing)	23.13 g
Customs tariff number	85366990
Country of origin	DE

# SACC-M12MS-5CON-PG 7-M - Connector



1663116

<https://www.phoenixcontact.com/pc/products/1663116>

## Technical data

### Notes

Assembly note	<b>NOTE:</b> Observe the permissible bending radii when routing cables, since the degree of protection may be at risk if the bending forces are too high. Reduce mechanical loads upstream of the connector, e.g., by using cable ties.
---------------	---

### Mounting

Assembly note	The wires can be connected both with ferrules and without ferrules
---------------	--

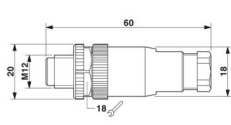
### Product properties

Product type	Circular connector (cable-side)
Sensor type	Universal
Number of positions	5
No. of cable outlets	1
Shielded	no
Coding	A
Cable outlet	straight
Pg screw connection	Pg7

### Insulation characteristics

Overvoltage category	II
Degree of pollution	3

### Dimensions

Dimensional drawing	
Width	20 mm
Height	20 mm
Length	60 mm

### External dimensions

Outside diameter	4 mm ... 6 mm
------------------	---------------

### Housing

Diameter housing	20 mm
------------------	-------

### Material specifications

Flammability rating according to UL 94	HB
Seal material	NBR
Material of grip body	PA

# SACC-M12MS-5CON-PG 7-M - Connector



1663116

<https://www.phoenixcontact.com/pc/products/1663116>

Contact material	CuZn
Contact surface material	CuSnZn
Contact carrier material	PA
Material for screw connection	Zinc die-cast, nickel-plated

## Connection data

### Conductor connection

Connection method	Screw connection
Connection cross section	0.25 mm <sup>2</sup> ... 0.75 mm <sup>2</sup> (without ferrule)
	0.14 mm <sup>2</sup> ... 0.75 mm <sup>2</sup> (with ferrule)
	0.25 mm <sup>2</sup> ... 0.75 mm <sup>2</sup> (solid)
Connection cross section AWG	24 ... 18 (without ferrule)
	26 ... 20 (with ferrule)
Stripping length of the individual wire	5 mm
Tightening torque	0.4 Nm (M12 knurl)
	0.2 Nm (Screw terminal blocks)
	0.8 Nm ... 1 Nm (Pressure screw)

## Electrical properties

Rated surge voltage	1.5 kV
Contact resistance	≤ 8 mΩ
Insulation resistance	≥ 100 MΩ
Nominal voltage U <sub>N</sub>	48 V AC
	60 V DC
Nominal current I <sub>N</sub>	4 A

## Mechanical properties

### Mechanical data

Insertion/withdrawal cycles	≥ 50
-----------------------------	------

## Connector

### Connection 1

Head design	Plug
Head cable outlet	straight
Head thread type	M12
Coding	A

## Cable/line

Signal type/category	Universal
Stripping length of the individual wire	5 mm

## Environmental and real-life conditions

### Ambient conditions

# SACC-M12MS-5CON-PG 7-M - Connector



1663116

<https://www.phoenixcontact.com/pc/products/1663116>

Degree of protection	IP67
Ambient temperature (operation) (male connector/female connector)	-40 °C ... 85 °C (Plug / socket)

## Standards and regulations

Standard designation	M12 connector
Standards/specifications	IEC 61076-2-101

# SACC-M12MS-5CON-PG 7-M - Connector

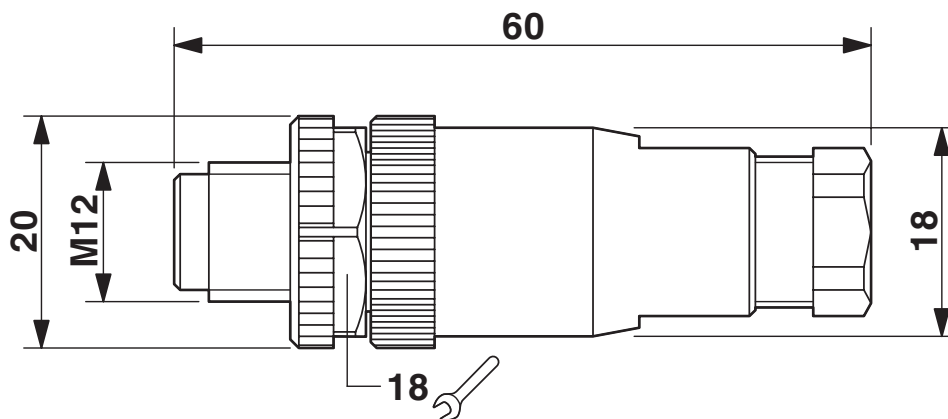


1663116

<https://www.phoenixcontact.com/pc/products/1663116>

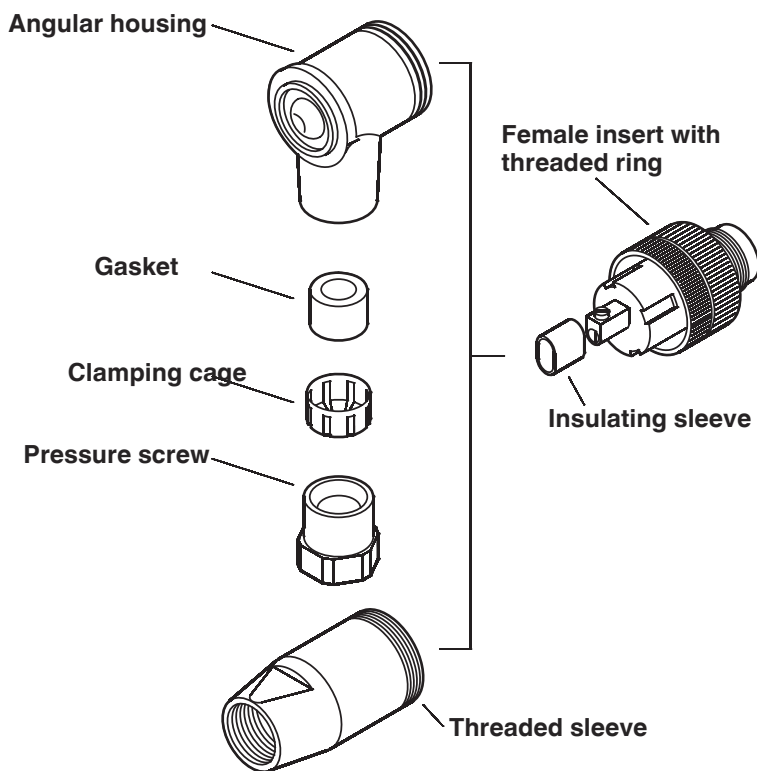
## Drawings

Dimensional drawing



Plug, M12 x 1, straight

Schematic diagram



Male/Female M12

1663116

<https://www.phoenixcontact.com/pc/products/1663116>

Schematic diagram



Cable connection side M12 (screw connection)

Schematic diagram



Pin assignment M12 male connector, 5-pos., A-coded, male side

# SACC-M12MS-5CON-PG 7-M - Connector



1663116

<https://www.phoenixcontact.com/pc/products/1663116>

## Approvals

To download certificates, visit the product detail page: <https://www.phoenixcontact.com/pc/products/1663116>

 <b>cUL Recognized</b> Approval ID: FILE E 221474				
	Nominal voltage $U_N$	Nominal current $I_N$	Cross section AWG	Cross section $\text{mm}^2$
keine				
	60 V	4 A	-	-

 <b>UL Recognized</b> Approval ID: FILE E 221474				
	Nominal voltage $U_N$	Nominal current $I_N$	Cross section AWG	Cross section $\text{mm}^2$
keine				
	60 V	4 A	-	-

# SACC-M12MS-5CON-PG 7-M - Connector



1663116

<https://www.phoenixcontact.com/pc/products/1663116>

## Classifications

### ECLASS

ECLASS-13.0	27440116
ECLASS-15.0	27440116

### ETIM

ETIM 10.0	EC002635
-----------	----------

### UNSPSC

UNSPSC 21.0	39121400
-------------	----------

# SACC-M12MS-5CON-PG 7-M - Connector



1663116

<https://www.phoenixcontact.com/pc/products/1663116>

## Environmental product compliance

### EU RoHS

Fulfills EU RoHS substance requirements	Yes
Exemption	6(c)

### China RoHS

Environment friendly use period (EFUP)	EFUP-50
	An article-related China RoHS declaration table can be found in the download area for the respective article under "Manufacturer declaration". For all articles with EFUP-E, no China RoHS declaration table issued and required.

### EU REACH SVHC

REACH candidate substance (CAS No.)	Lead(CAS: 7439-92-1)
SCIP	d93bebd2-5471-4cb7-a9e9-24611f594177

### EF3.1 Climate Change

CO2e kg	0.524 kg CO2e
---------	---------------

Phoenix Contact 2026 © - all rights reserved  
<https://www.phoenixcontact.com>

PHOENIX CONTACT GmbH & Co. KG  
Flachsmarktstraße 8  
D-32825 Blomberg  
+49 (0) 5235-3 00  
[info@phoenixcontact.com](mailto:info@phoenixcontact.com)