

# PROT-M17PRO-OT-IP20 - Plastic protective cap



1055708

<https://www.phoenixcontact.com/pc/products/1055708>

Please be informed that the data shown in this PDF document is generated from our online catalog. Please find the complete data in the user documentation. Our general terms of use for downloads are valid.

Plastic protective cap, M17, series: M17 PRO



## Commercial data

Item number	1055708
Packing unit	25 pc
Minimum order quantity	25 pc
Product key	ABRGAD
GTIN	4063151783341
Weight per piece (including packing)	1.42 g
Weight per piece (excluding packing)	1.29 g
Customs tariff number	39269097
Country of origin	DE

# PROT-M17PRO-OT-IP20 - Plastic protective cap



1055708

<https://www.phoenixcontact.com/pc/products/1055708>

## Technical data

### Product properties

Product type	Protective cap
Series	M17 PRO

### Material specifications

Material	TPE
----------	-----

### Environmental and real-life conditions

#### Ambient conditions

Degree of protection	IP20
Ambient temperature (operation)	-40 °C ... 105 °C

# PROT-M17PRO-OT-IP20 - Plastic protective cap

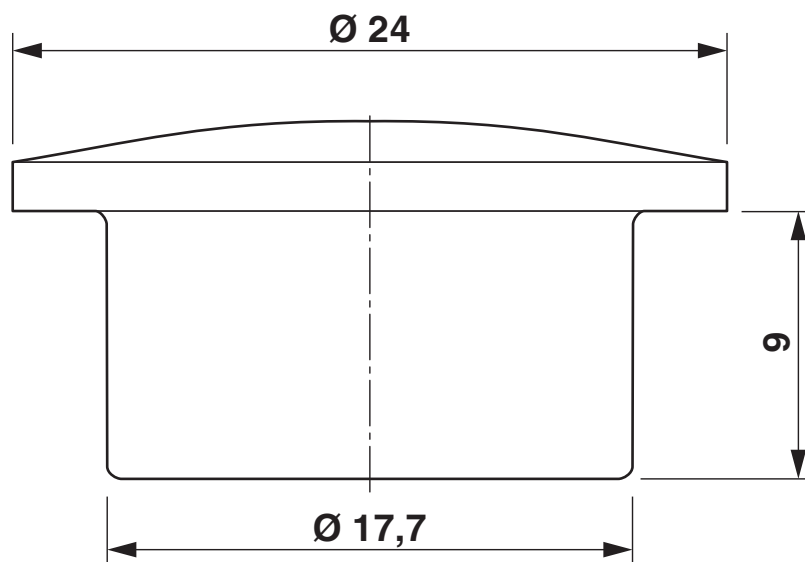


1055708

<https://www.phoenixcontact.com/pc/products/1055708>

## Drawings

Dimensional drawing



Dimensional drawing

# PROT-M17PRO-OT-IP20 - Plastic protective cap



1055708

<https://www.phoenixcontact.com/pc/products/1055708>

## Classifications

### ECLASS

ECLASS-13.0	27440208
ECLASS-15.0	27440208

### ETIM

ETIM 10.0	EC002314
-----------	----------

### UNSPSC

UNSPSC 21.0	39121400
-------------	----------

# PROT-M17PRO-OT-IP20 - Plastic protective cap



1055708

<https://www.phoenixcontact.com/pc/products/1055708>

## Environmental product compliance

### EU RoHS

Fulfills EU RoHS substance requirements	Yes, No exemptions
---	--------------------

### China RoHS

Environment friendly use period (EFUP)	EFUP-E
	No hazardous substances above the limits

### EU REACH SVHC

REACH candidate substance (CAS No.)	No substance above 0.1 wt%
-------------------------------------	----------------------------

Phoenix Contact 2026 © - all rights reserved  
<https://www.phoenixcontact.com>

PHOENIX CONTACT GmbH & Co. KG  
Flachmarktstraße 8  
D-32825 Blomberg  
+49 (0) 5235-3 00  
[info@phoenixcontact.com](mailto:info@phoenixcontact.com)